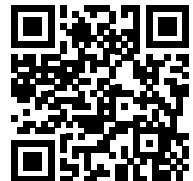
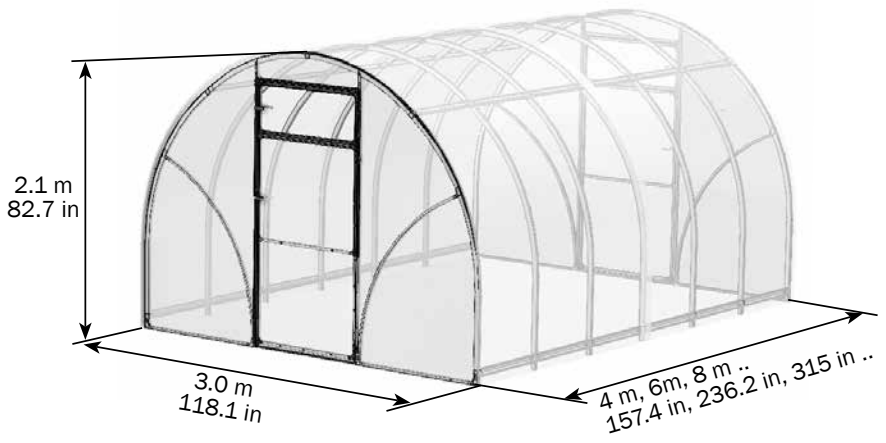
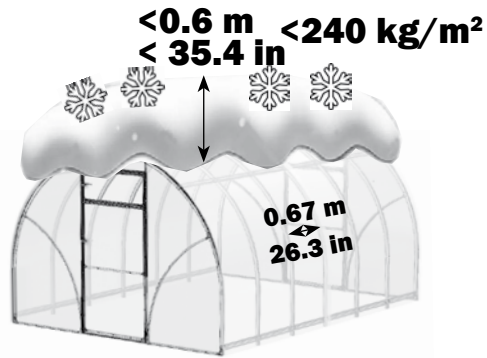
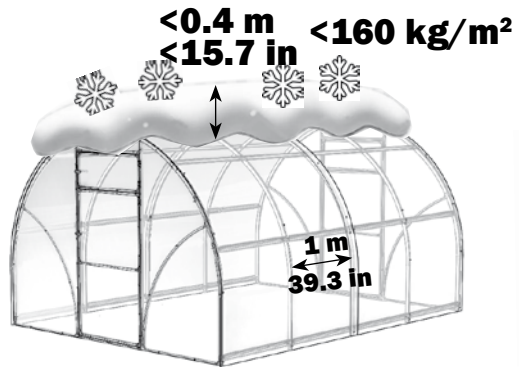
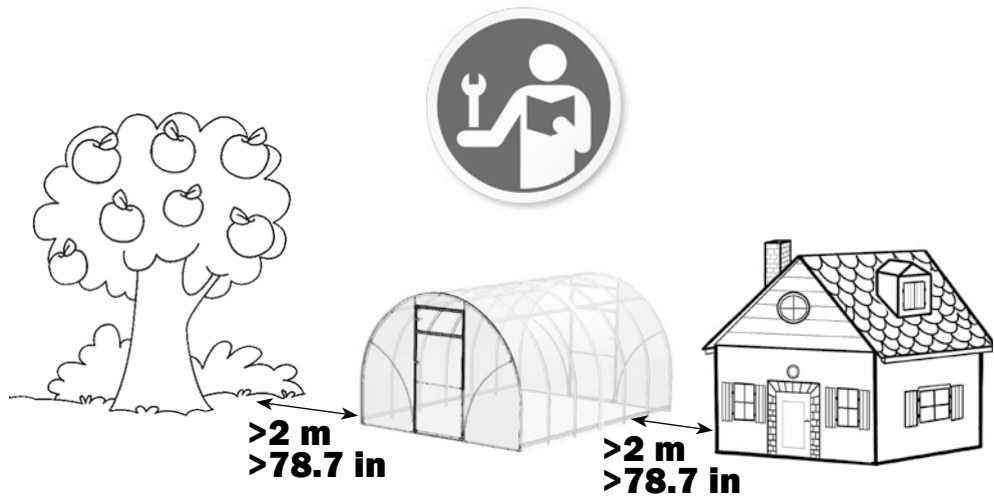


SIGMA

model 2022

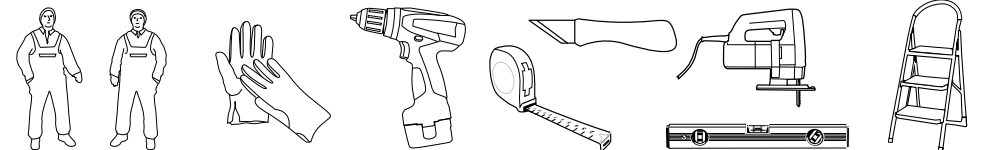




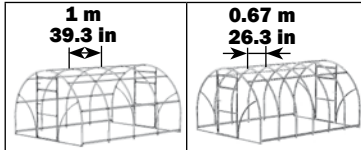
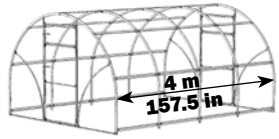
24x



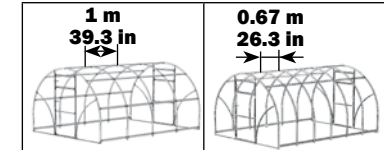
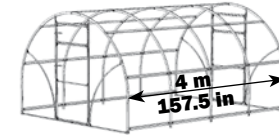
 L	 2 m 78.7 in	 4.6 mm 0.15 .. 0.23 in 2.1 m 82.7 in 6 m 236.2 in
4 m 157.5 in	0	x 3
6 m 236.2 in	x 1	x 4
8 m 315 in	x 2	x 5
10 m 393.7 in	x 3	x 6
12 m 472.4 in	x 4	x 7
14 m 551.1 in	x 5	x 8
16 m 630 in	x 6	x 9
18 m 708.6 in	x 7	x 10
20 m 787.4 in	x 8	x 11



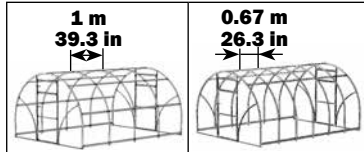
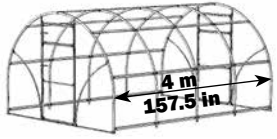
		No1 (2022) 1 m	No1 (2022) 0.67m	No2 (2021)	No3 (2021)	No4	No5 (2022) 1 m	No5 (2022) 0.67m	No6	No7 (2022) 1 m	No7 (2022) 0.67m	No8 (2022) 1 m	No8 (2022) 0.67m								
		No9*	No10* 1m	No10* 0.67m	No11* 1m	No11* 0.67m	No12* 0.67m	No13* 0.67m													
 1 m 39.3 in 4 m 157.5 in	+	+	+	+	+										+	+					
	 2 m 78.7 in								+	+		+						+			
 0.67 m 26.3 in 4 m 157.5 in	+	+	+	+		+	+								+					+	
	 2 m 78.7 in					+					+		+					+			

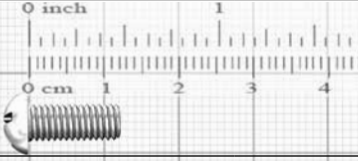

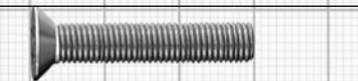
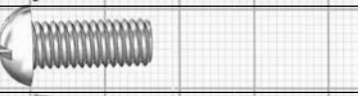





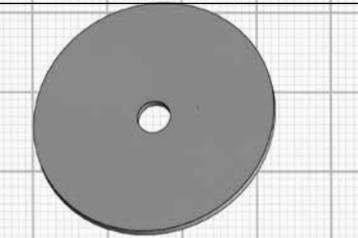




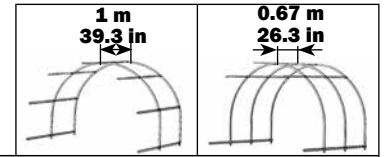
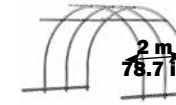
№ 1 (2022)				
1	2		0.98 m	x 28
			0.65 m	- x 30
№ 2 (2021)				
2	8-2		1.484 m	x 2
3	8-1		1.480 m	x 2
4	9-2		1.89 m	x 2
5	9-1		1.89 m	x 2
6	10		0.9 m	x 2
7	12		1.48 m	x 2
8	12-1		1.48 m	x 2
9	12-2		0.36 m	x 2
10	12-3		0.36 m	x 2
11	13-1		0.85 m	x 6
12	13		0.85 m	x 2
13	13-2		0.85 m	x 2
№ 3 (2021)				
14	4BT		1.9 m	x 2
15	4HT		1.9 m	x 2
16	4HT-1		1.9 m	x 2
17	4T		1.5 m	x 4





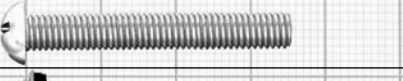


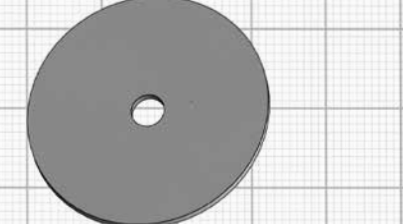


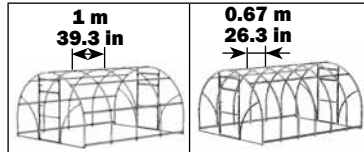
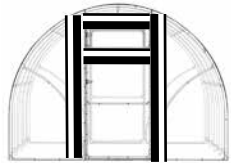
№ 4				
18	4B		1.9 m	x 3
19	4H		1.9 m	x 6
№ 5 (2022)				
20			x 21	x 25
21			x 21	x 25
22			x 14	x 10
23			x 12	
24			x 12	
25			x 4	
26			x 24	
27			x 32	
28			x 8	
29			x 4	
30			x 4	
31			x 1	
32			x 4	



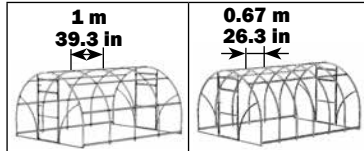
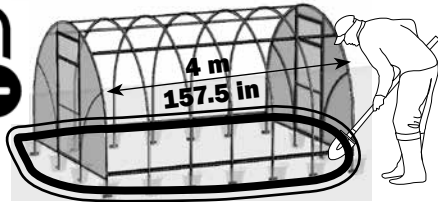
33	M4x12		x 56	x 60
34	M4x35		x 16	-
35	M5x30		x 34	
36	M6x16		x 40	
37	4.8x19		x 325	x 349
38	M4		x 72	x 60
39	M5		x 42	
40	M6		x 40	
41	10		x 16	
42	4x32		x 16	-
№ 6				
43	4B		1.9 m	x 2
44	4H		1.9 m	x 4



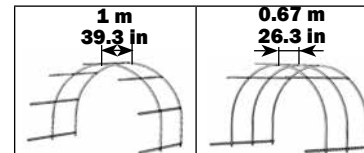
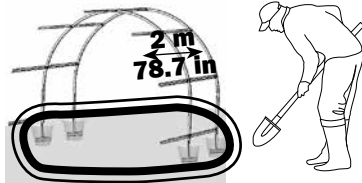
№7 (2022)					
45	2		0.98 m	x 14	-
			0.65 m	-	x 15
№ 8 (2021)					
46				x 14	x 15
47				x 14	x 15
48	M4x12		x 28	x 30	
49	M4x35		x 8	-	
50	4.8x19		x 38	x 55	
51	M4		x 36	x 30	
52			x 8	-	



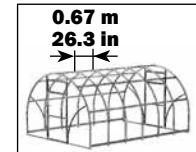
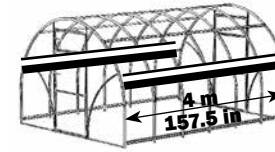
№ 9*				
1	Y1		0.75 m	x 2
2	Y2		0.75 m	x 2
3	Y8		0.75 m	x 2
4	Y9		0.75 m	x 2
5	Y10		0.41 m	x 2
6	Y7		0.85 m	x 4
7	Y12		0.41 m	x 2



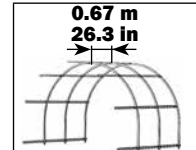
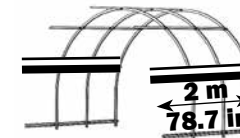
№ 10*					
1	1		0.33 m	x 10	x 14
2	1-2		0.26 m	x 4	
3	3		0.2 m	x 14	x 18



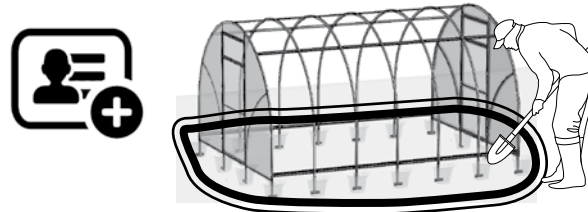
№11* (2 m)					
1	1		0.33 m	x 4	x 6
2	3		0.2 m	x 4	x 6



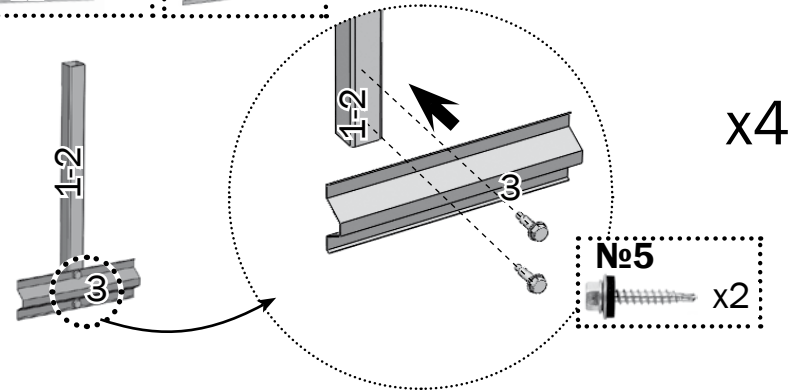
№12*			
1	2		x 12
2			x 4
3			x 10
4			x 10
5	M4x12		x 24
6	4.8x19		x 14
7	M4		x 24



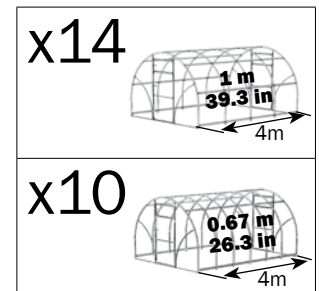
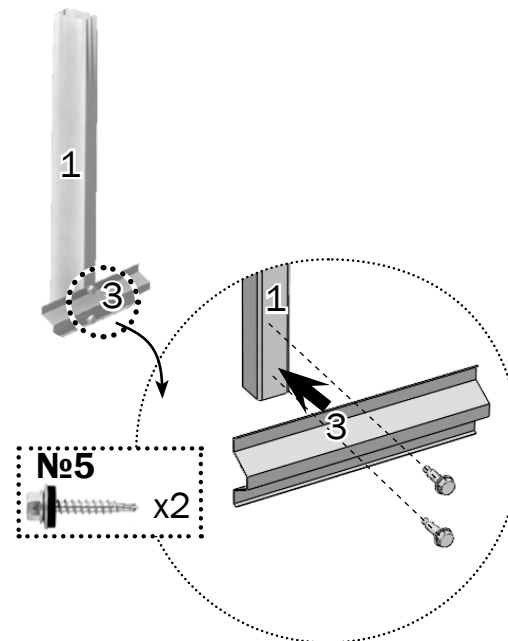
№13*			
1	2		x 6
2			x 6
3			x 6
4	M4x12		x 12
5	4.8x19		x 6
6	M4		x 12



.1** **No10
1-2 x1 **No10***
3 x1



.2** **No10
1 x1 **No10***
3 x1



1.1

№3 4BT x1 №3 4HT x1 №3 4HT-1 x1

№2 8-1 x1 №2 8-2 x1

№5 M5x30 M5 x1

№5 x1

№5 x1

№5 M6x16 M6 x1

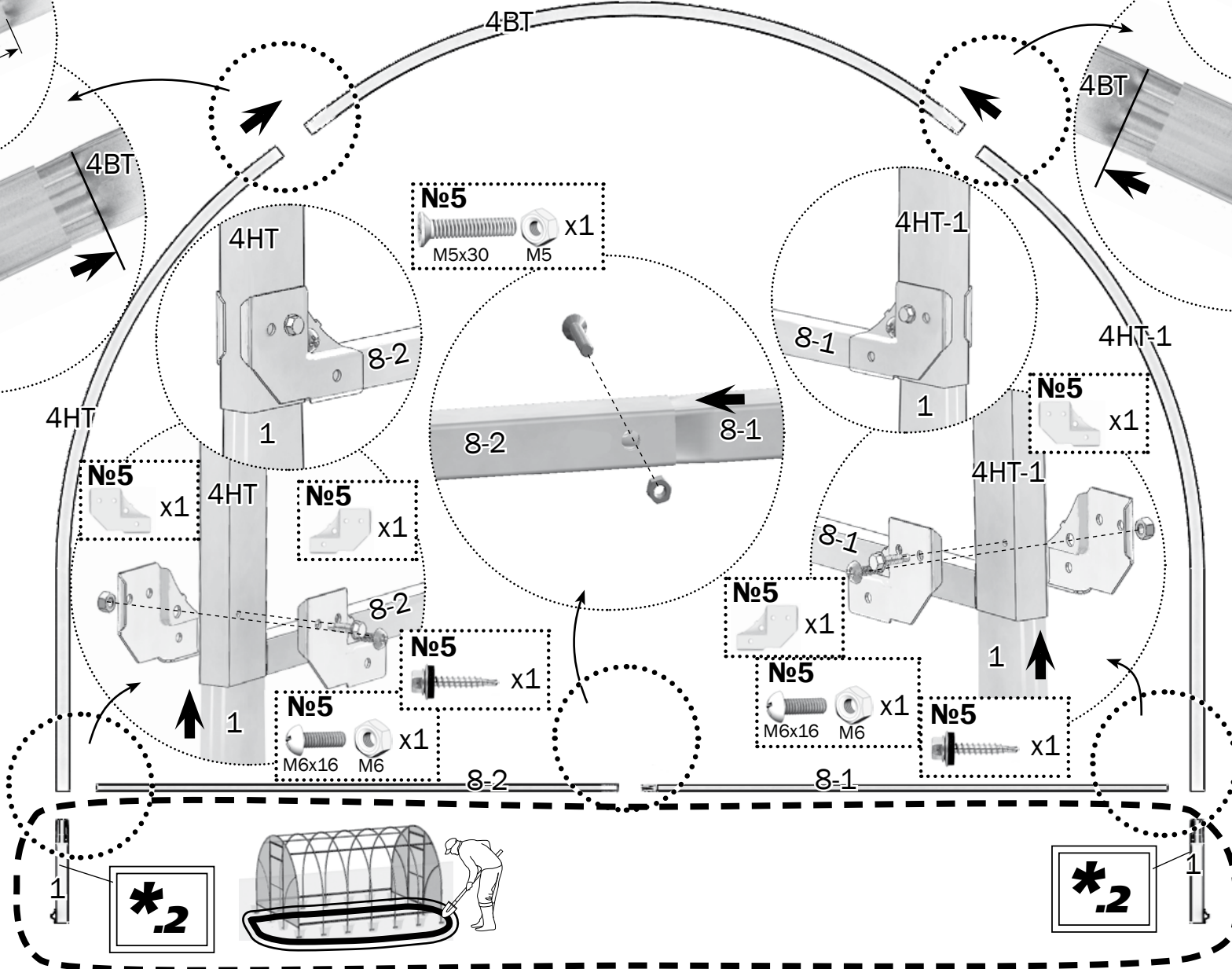
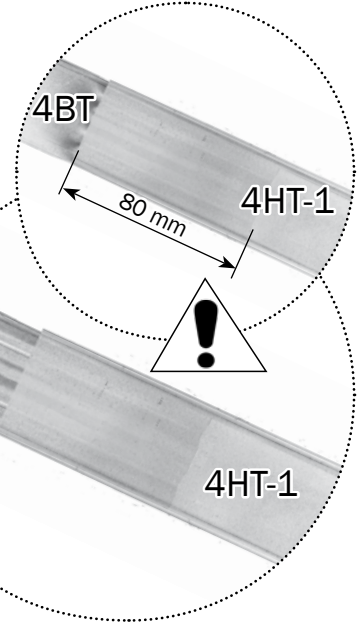
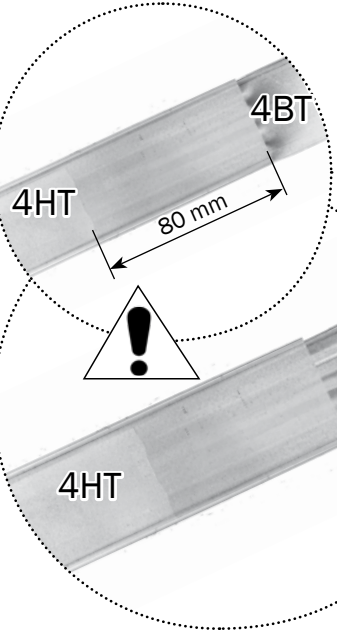
№5 x1

№5 M6x16 M6 x1

№5 x1

№5 x1

№5 x1

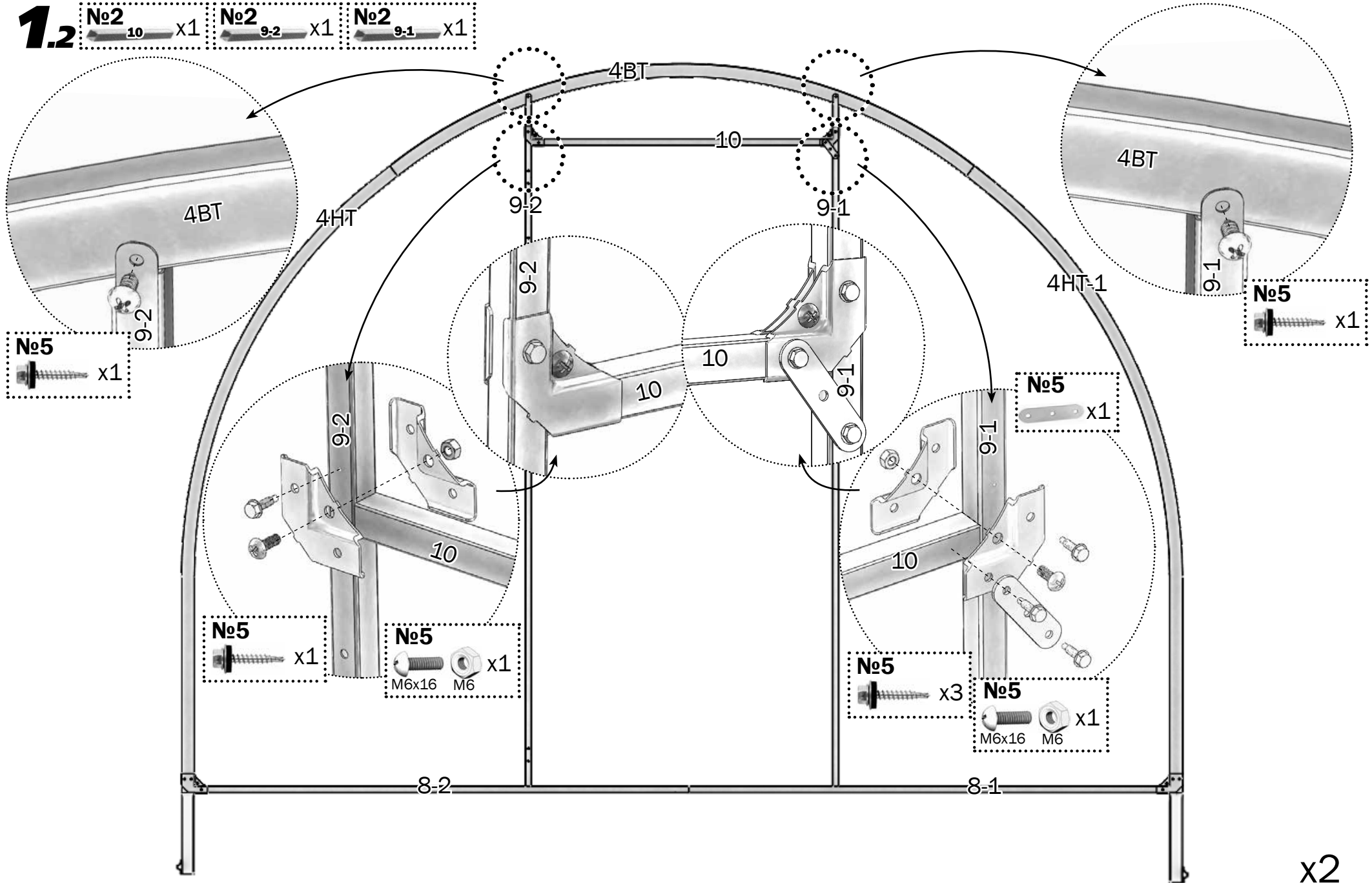


x2

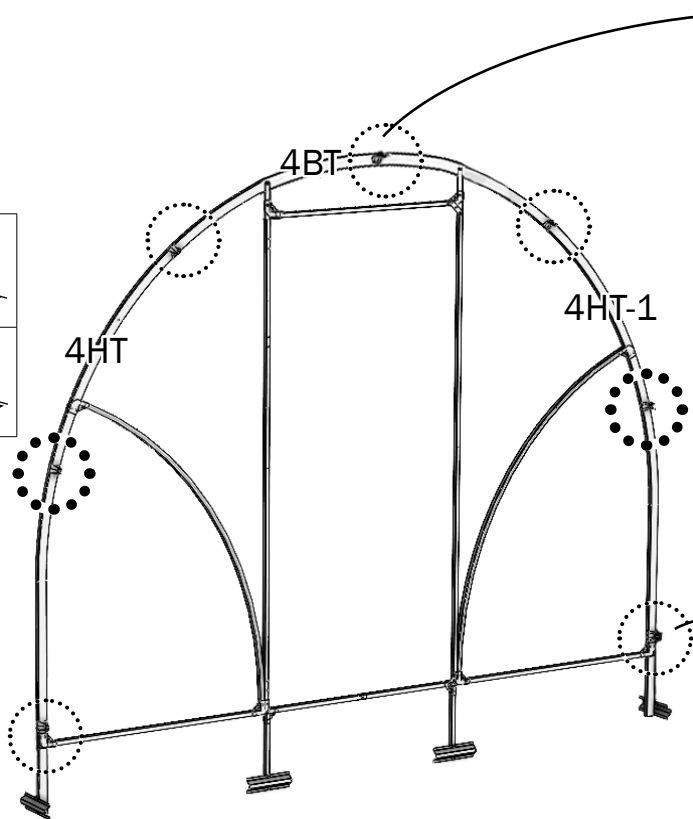
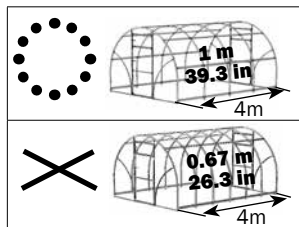
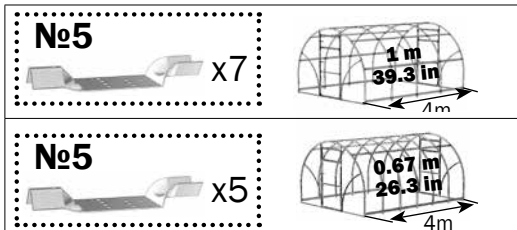
*2

*2

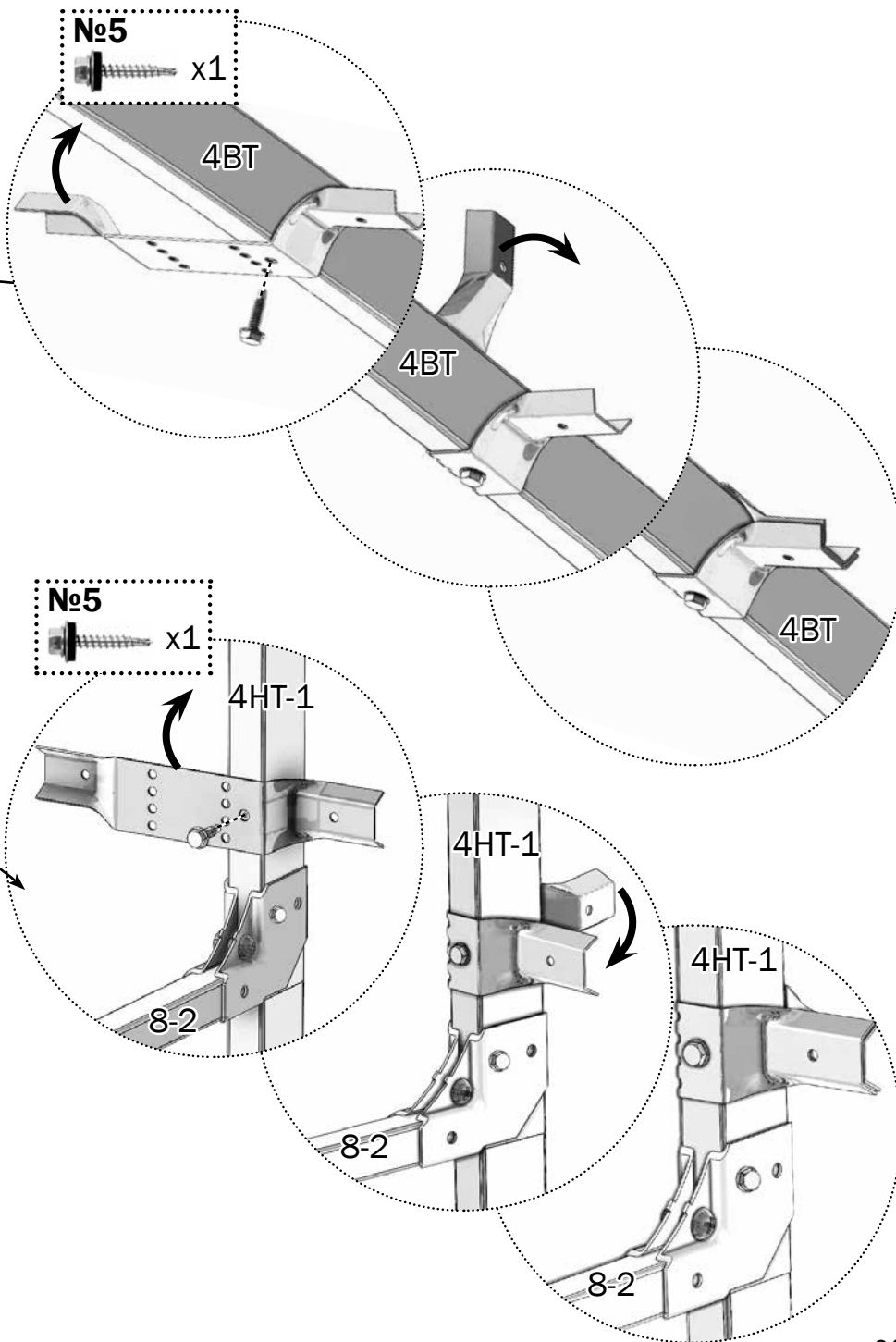
1.2 №2₁₀ x1 №2₉₋₂ x1 №2₉₋₁ x1



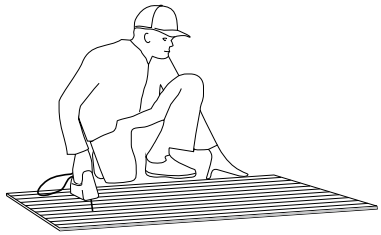
1.4



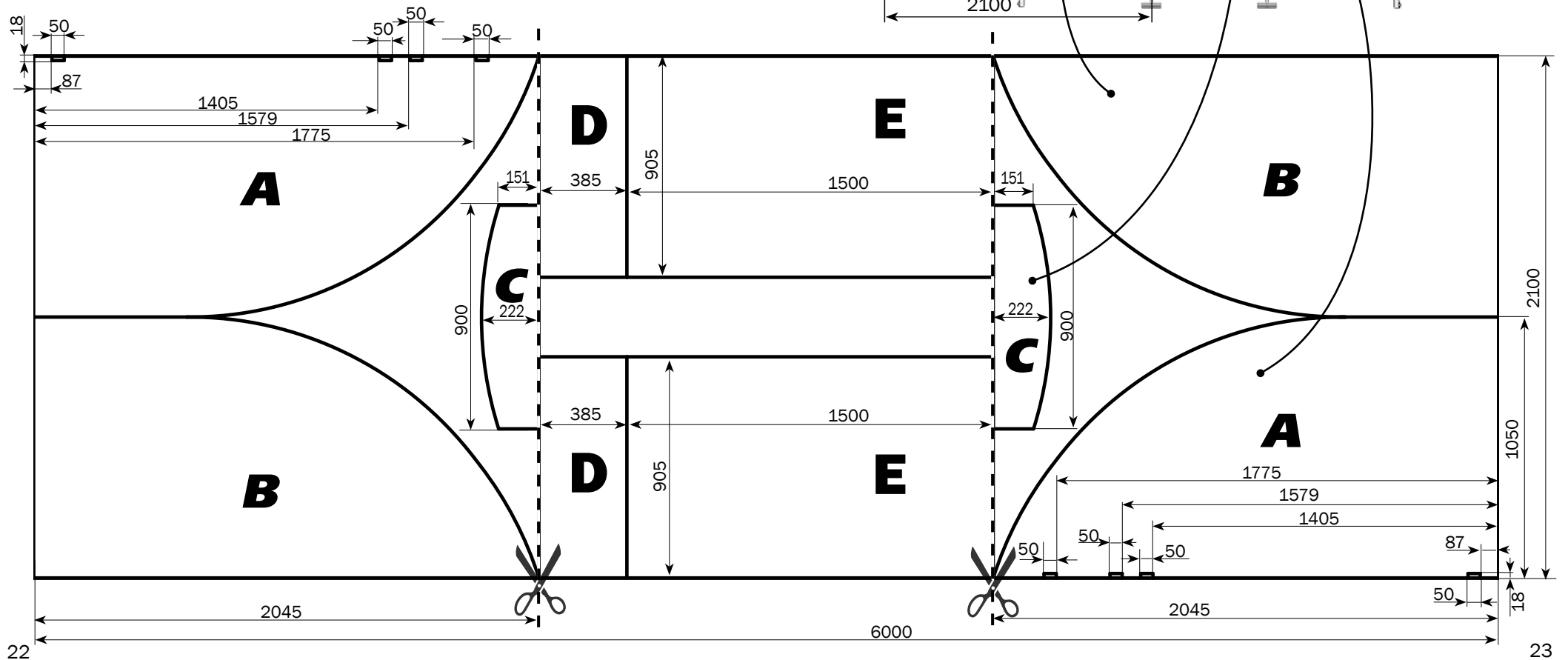
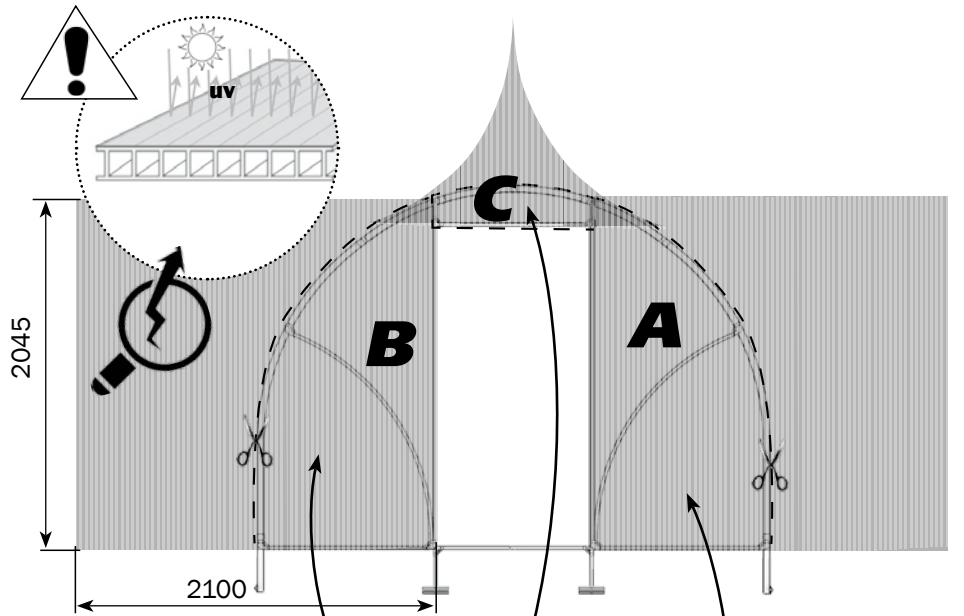
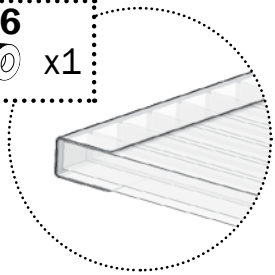
x2



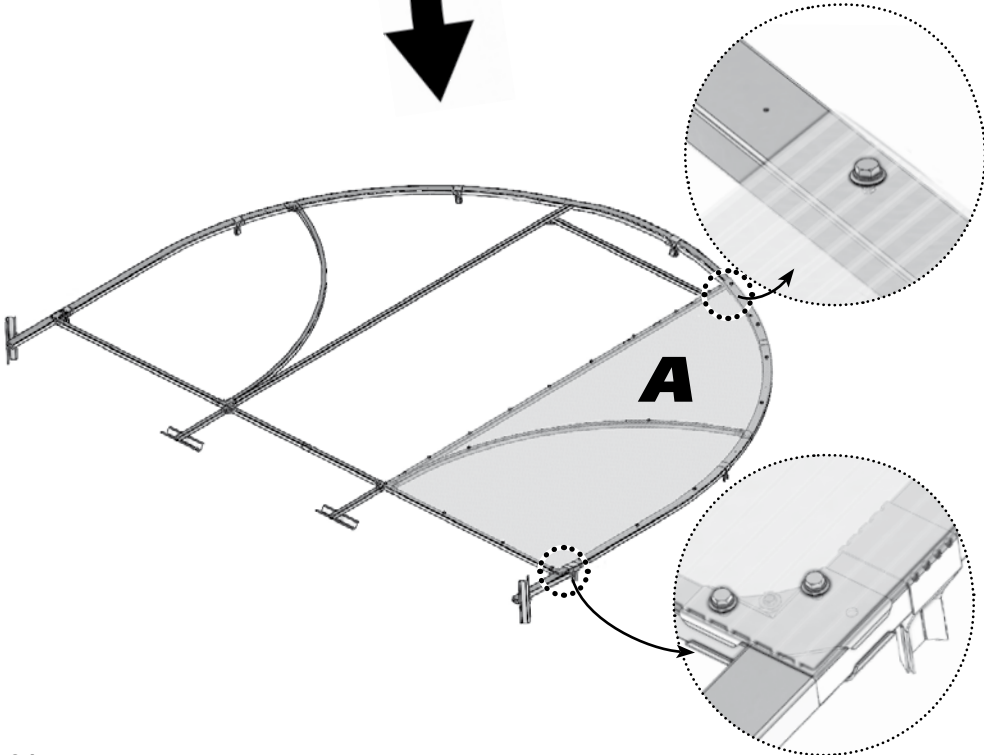
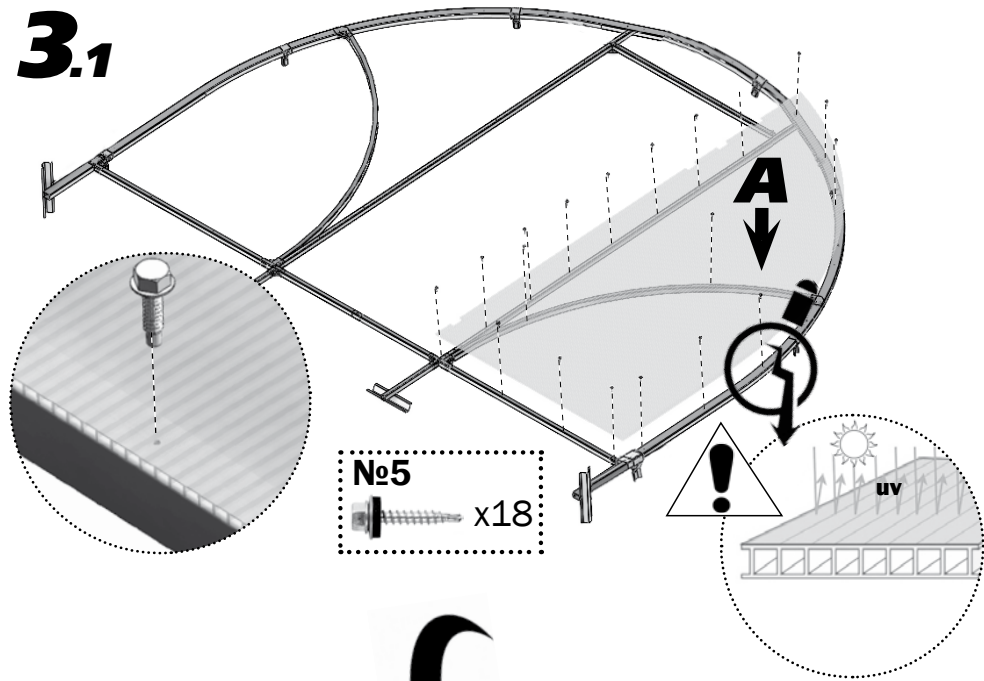
2



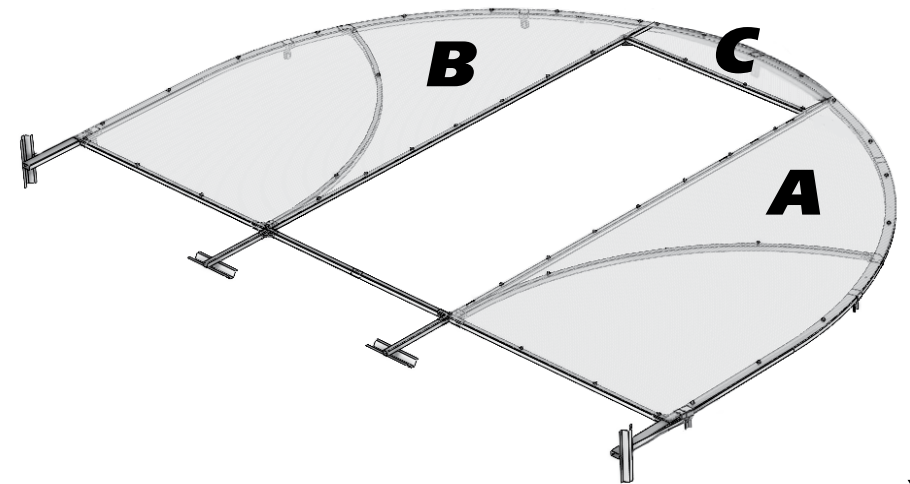
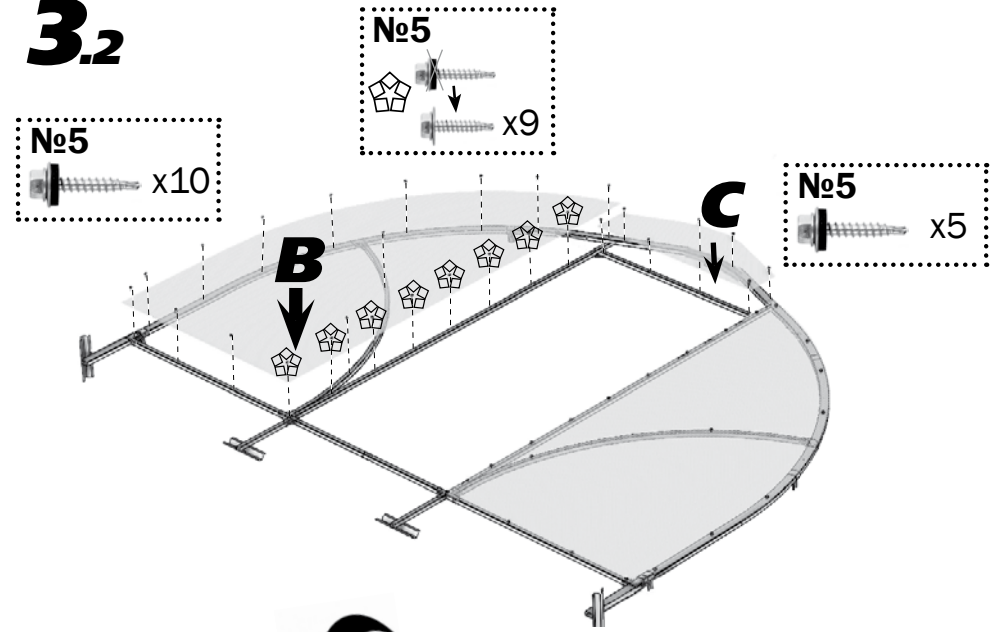
№6
x1



3.1



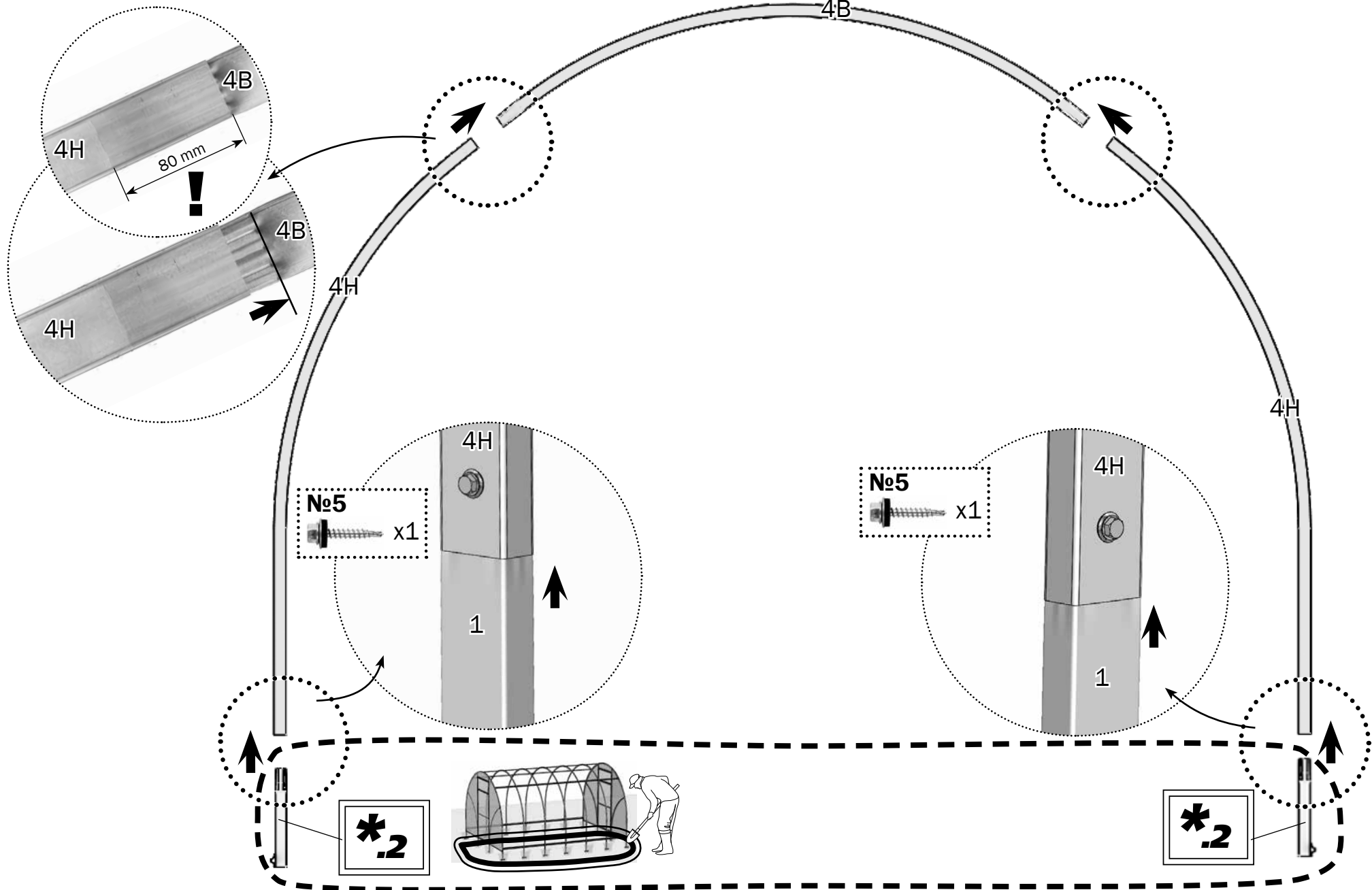
3.2



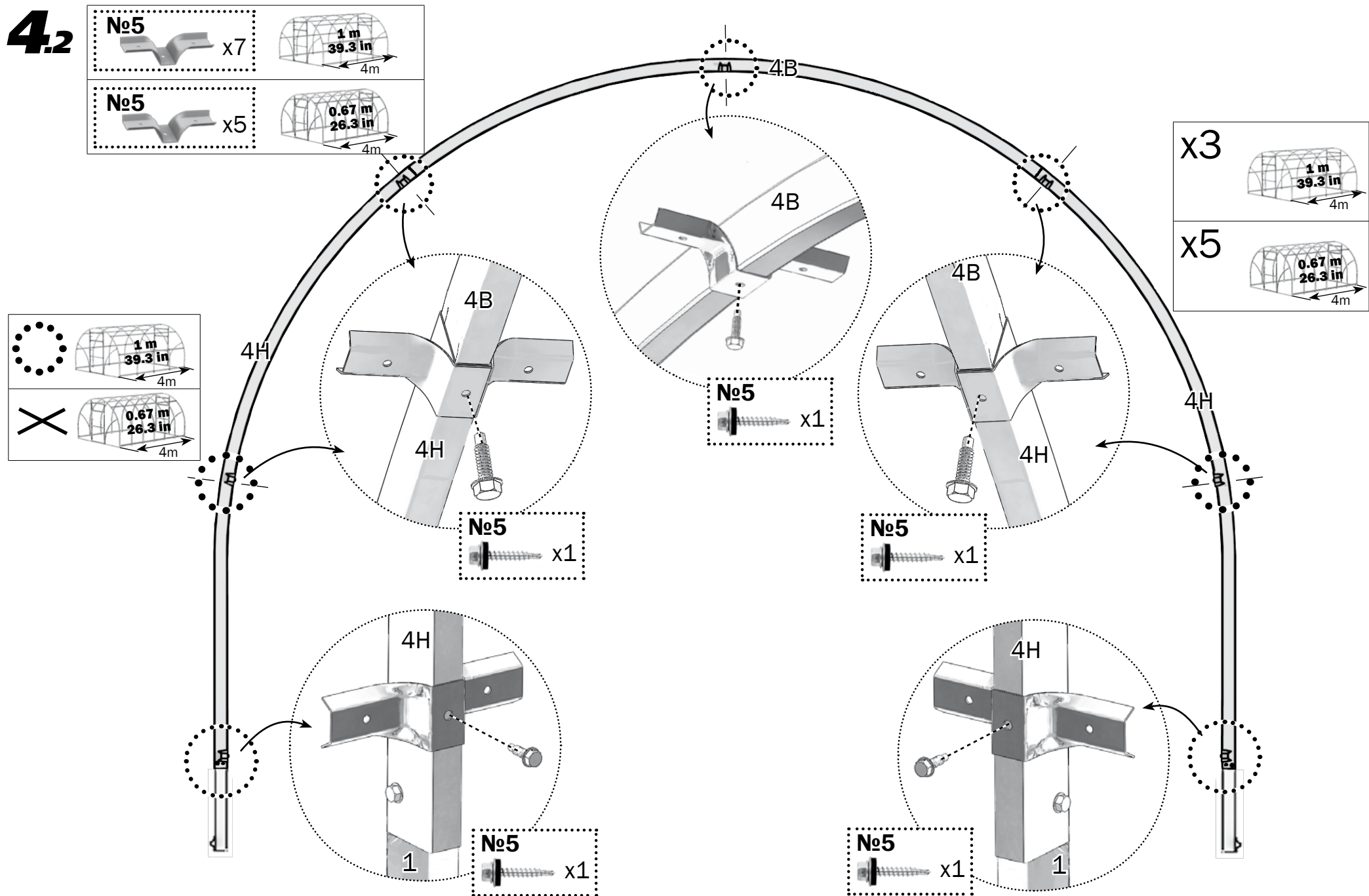
x2

4.1

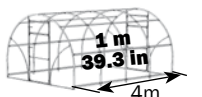
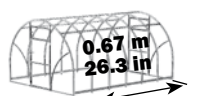
- №4 4B x1
- №4 4H x2

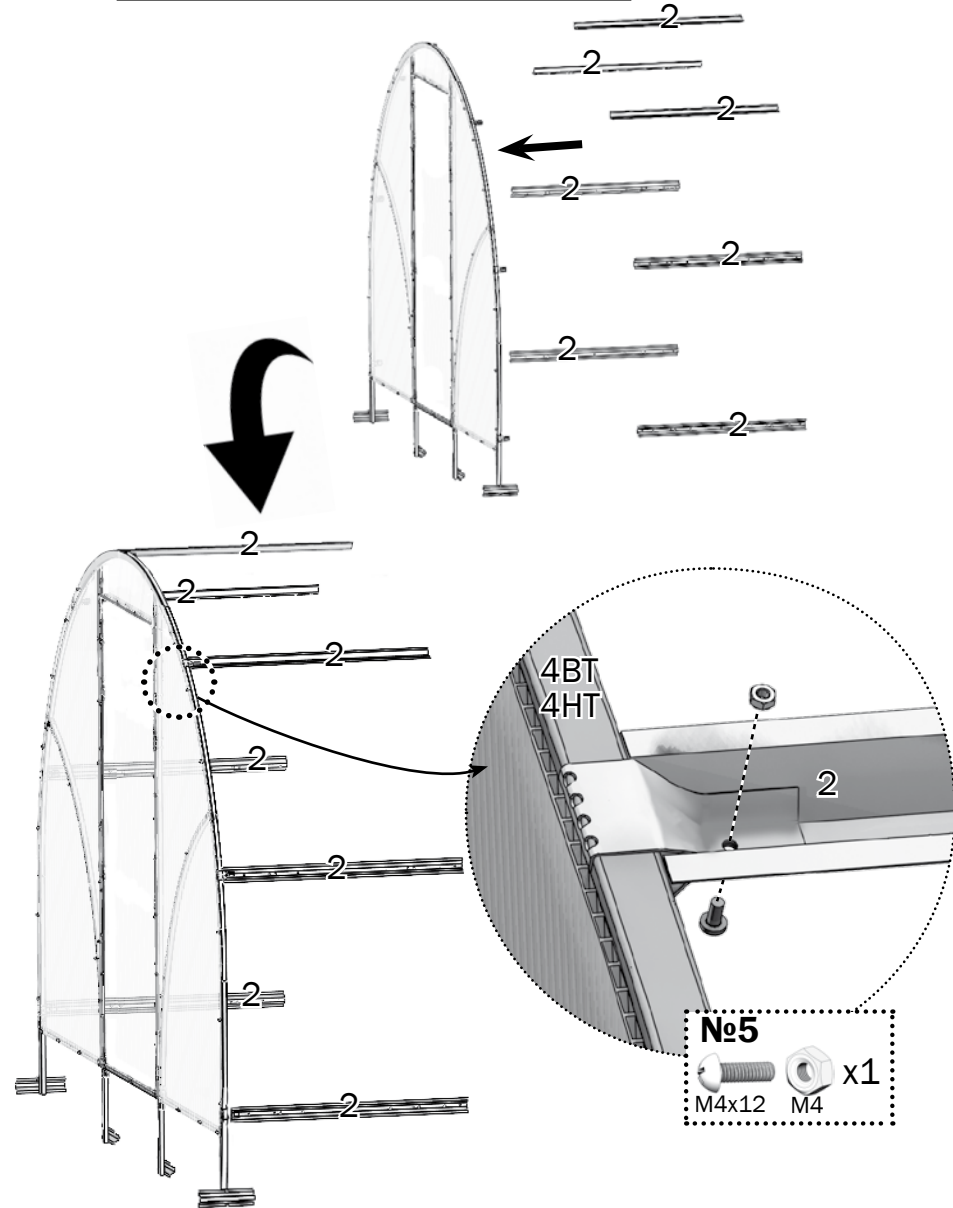


4.2

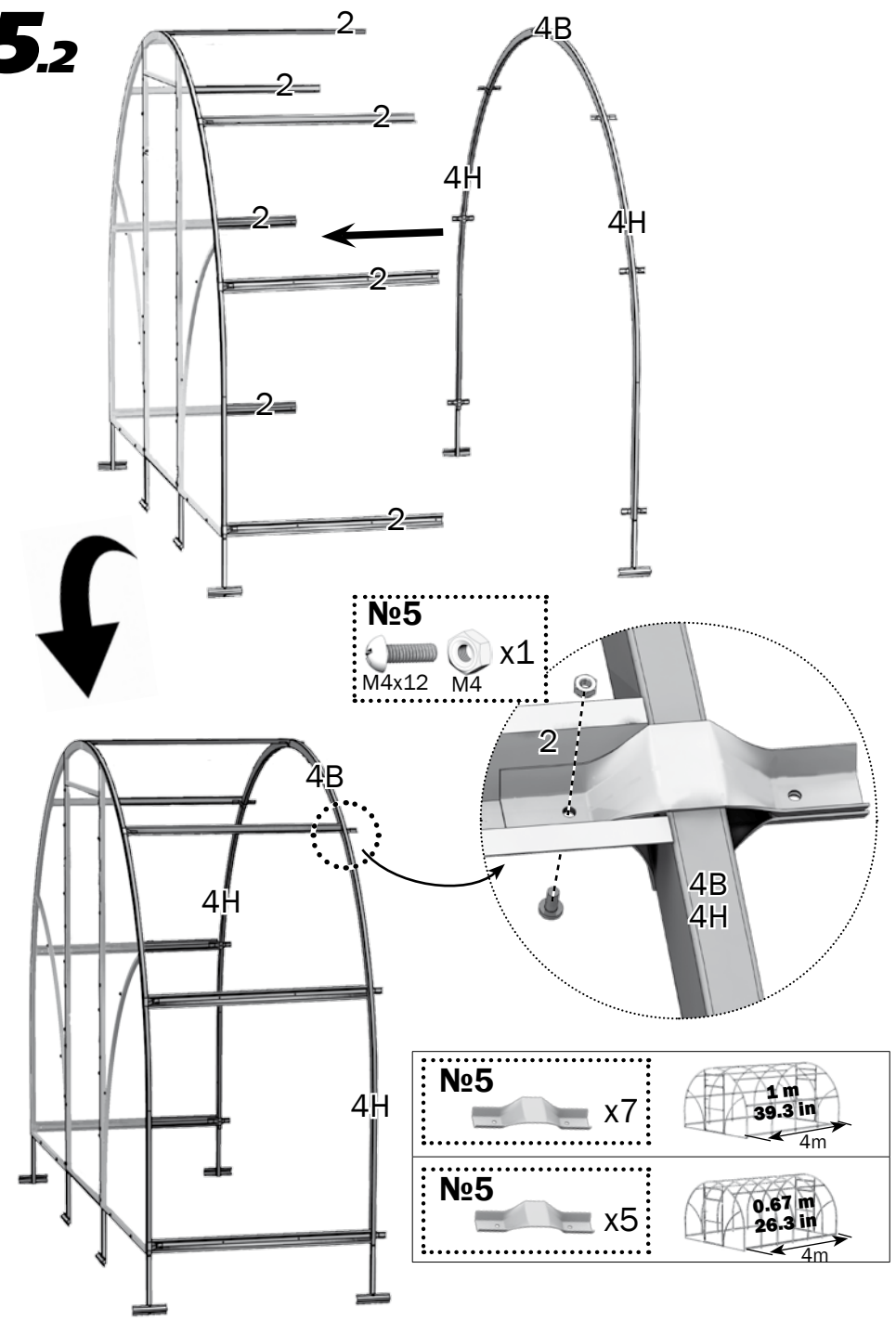


5.1

No1 2 x7	
No1 2 x5	

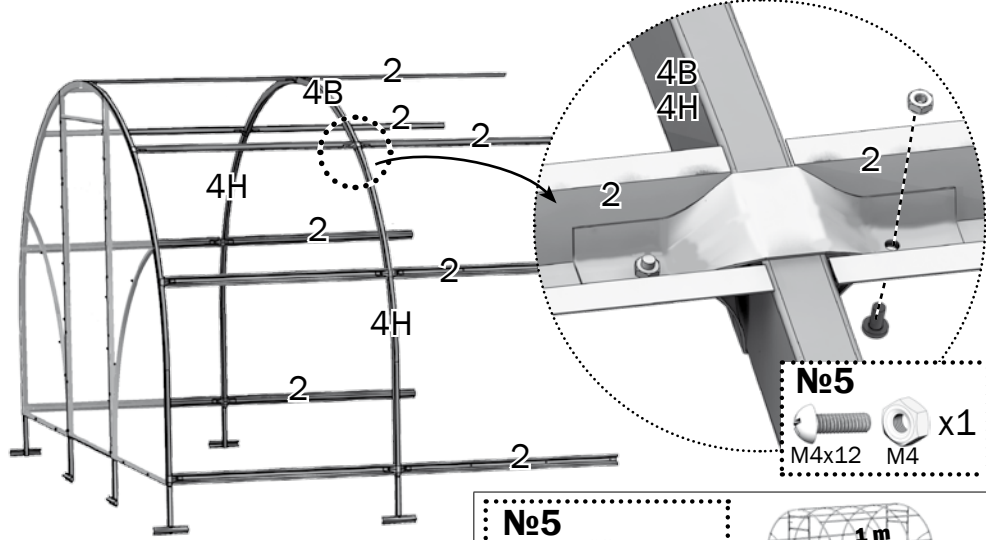
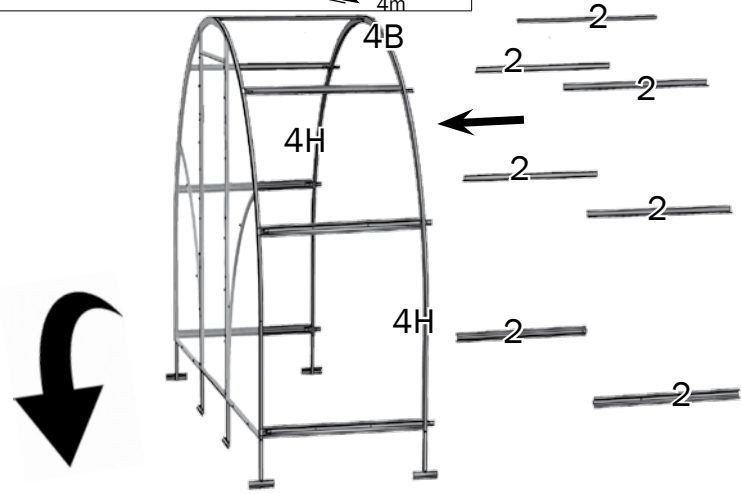


5.2



5.3

No1 2 x7	 1 m 39.3 in 4m
No1 2 x5	 0.67 m 26.3 in 4m

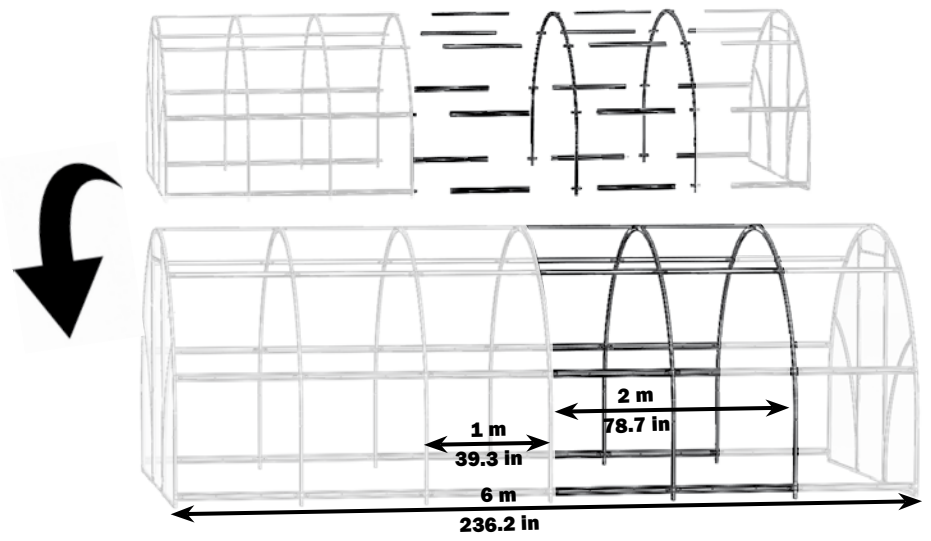


No5
M4x12 M4 x1

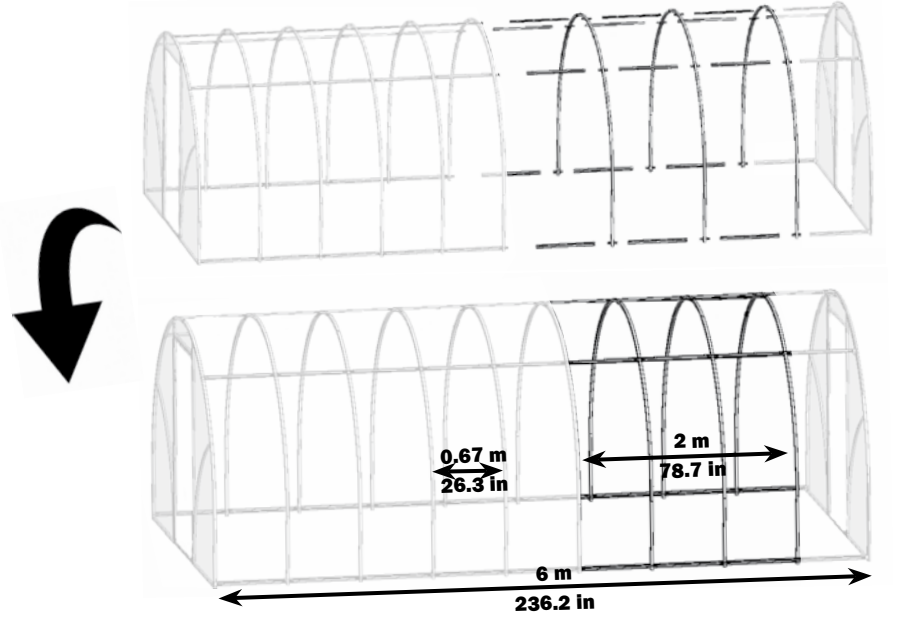
No5 x7	 1 m 39.3 in 4m
No5 x5	 0.67 m 26.3 in 4m

5.4

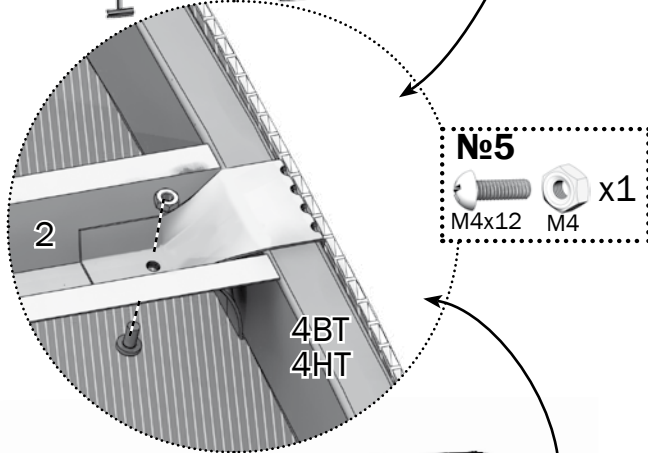
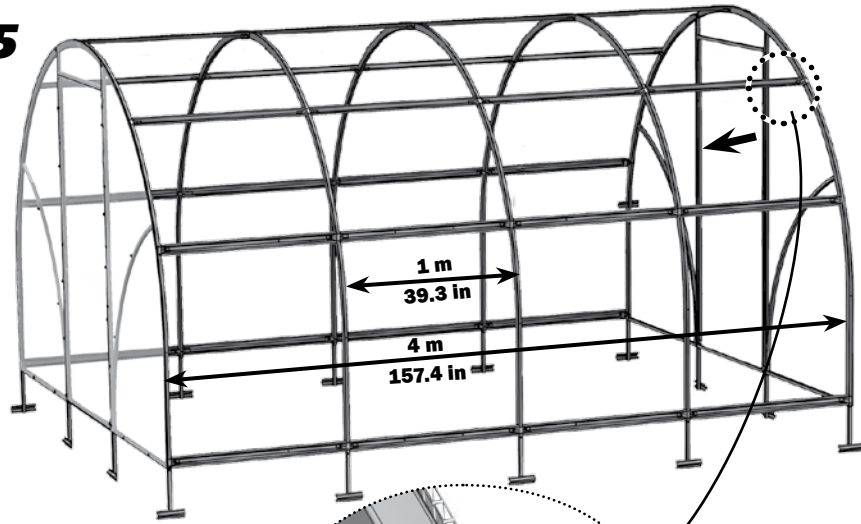
No7 (1 m) 2 x14	No6 4B x2	No6 4H x4
---------------------------	---------------------	---------------------



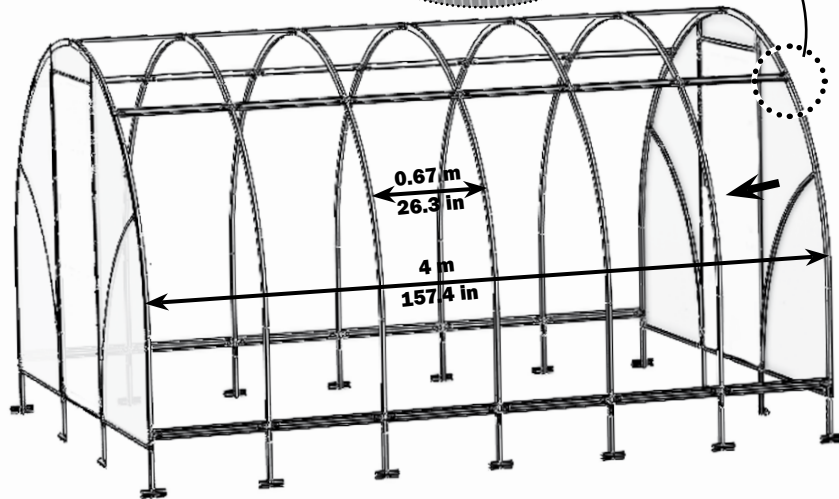
No7 (0.67m) 2 x10	No4 4B x2	No4 4H x4
-----------------------------	---------------------	---------------------



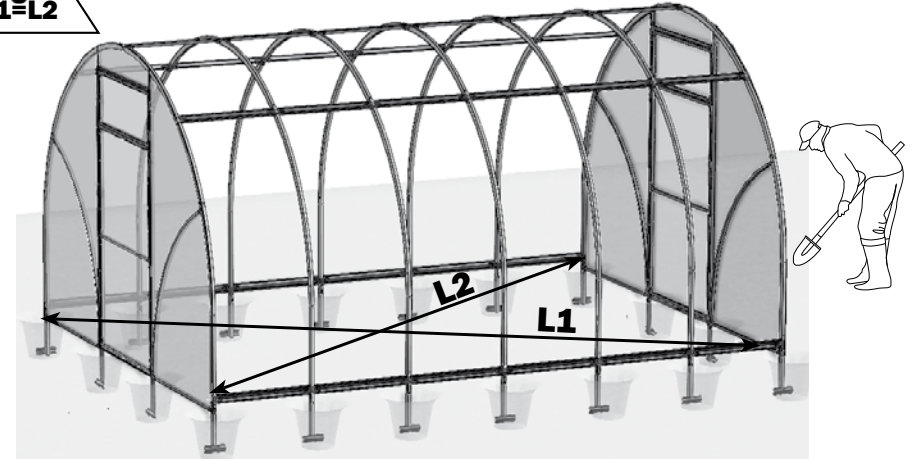
5.5



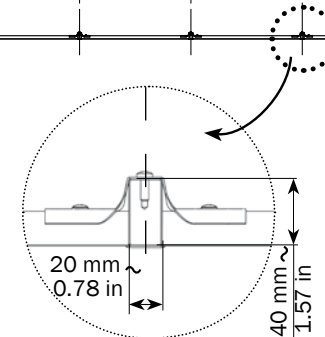
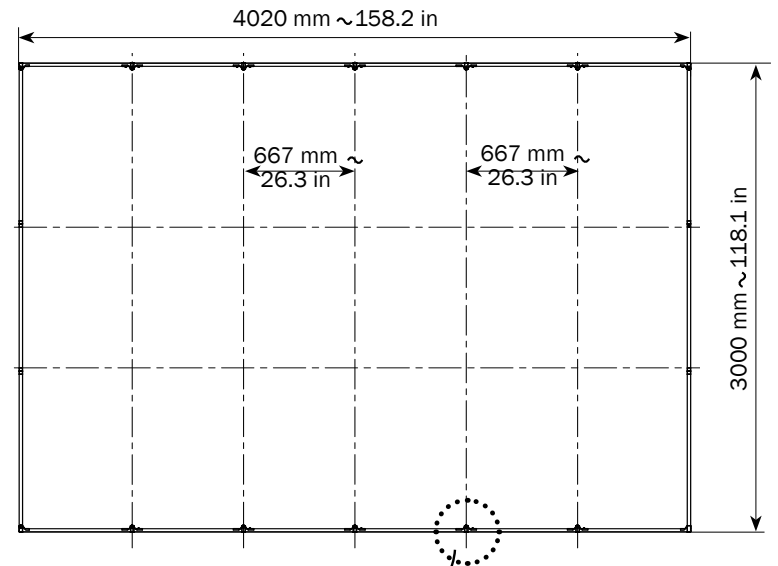
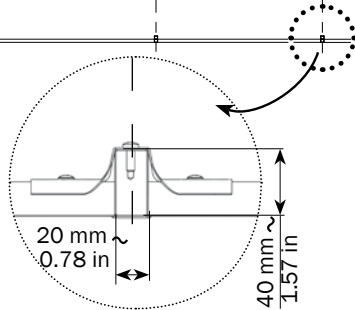
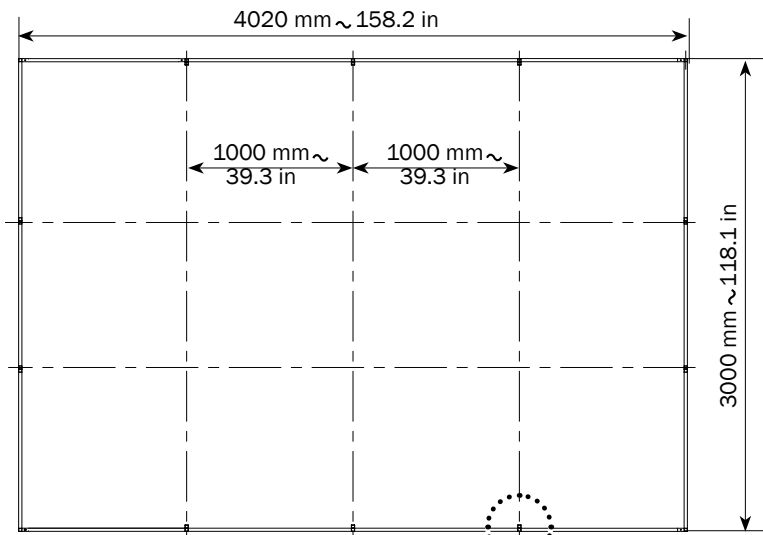
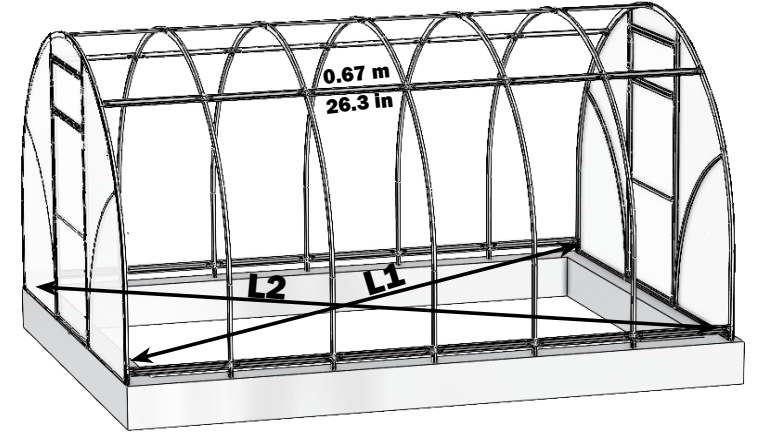
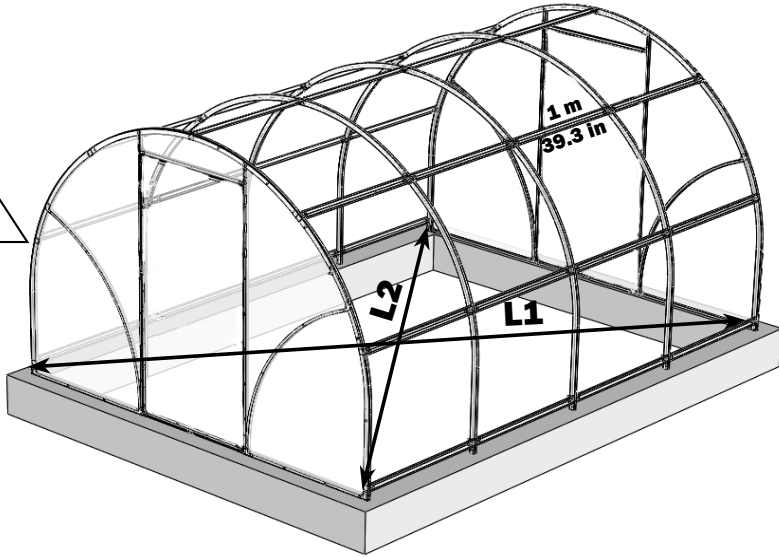
№5
M4x12 M4 x1



6.1

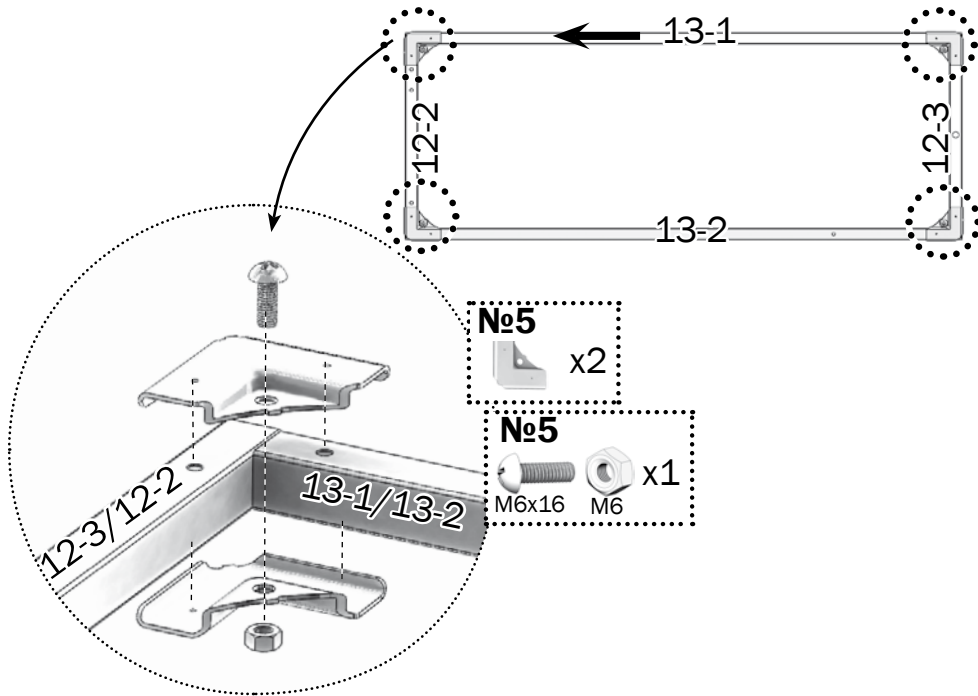


6.2

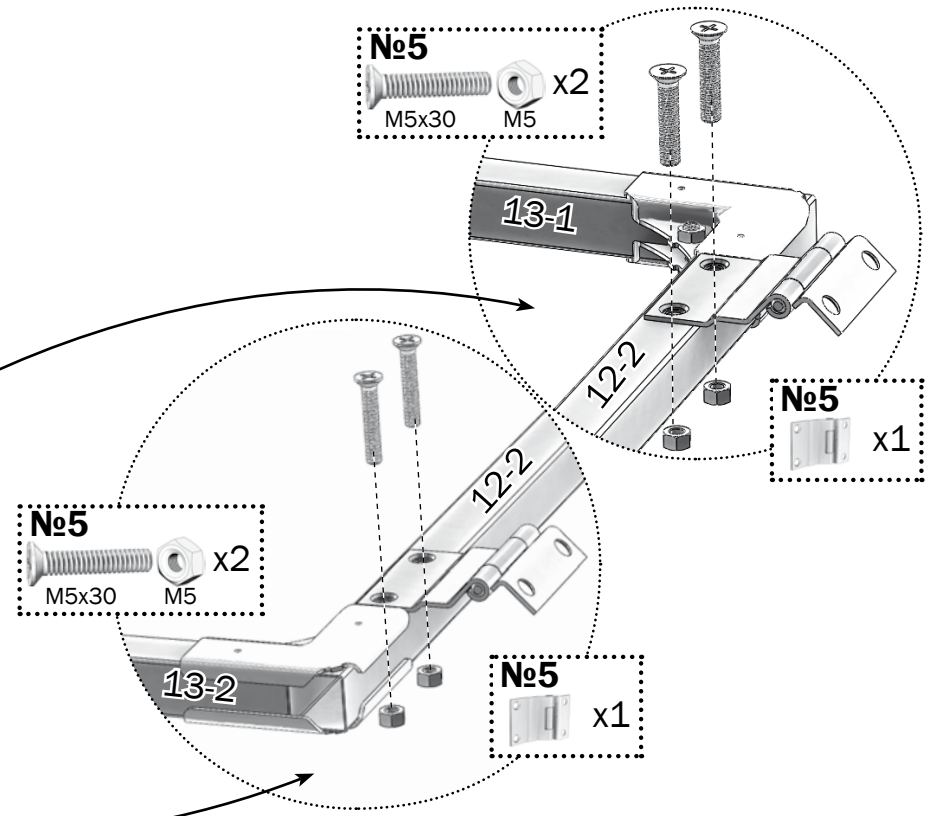
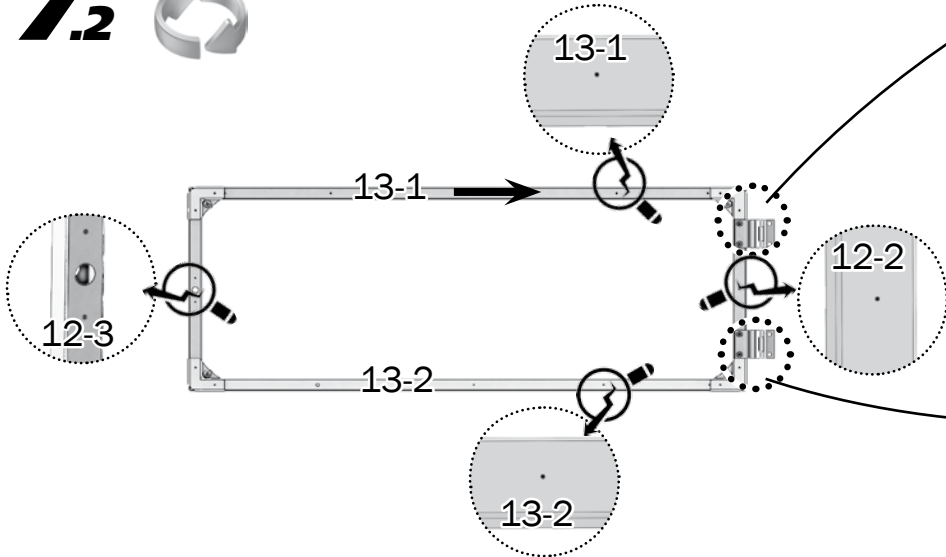


7.1

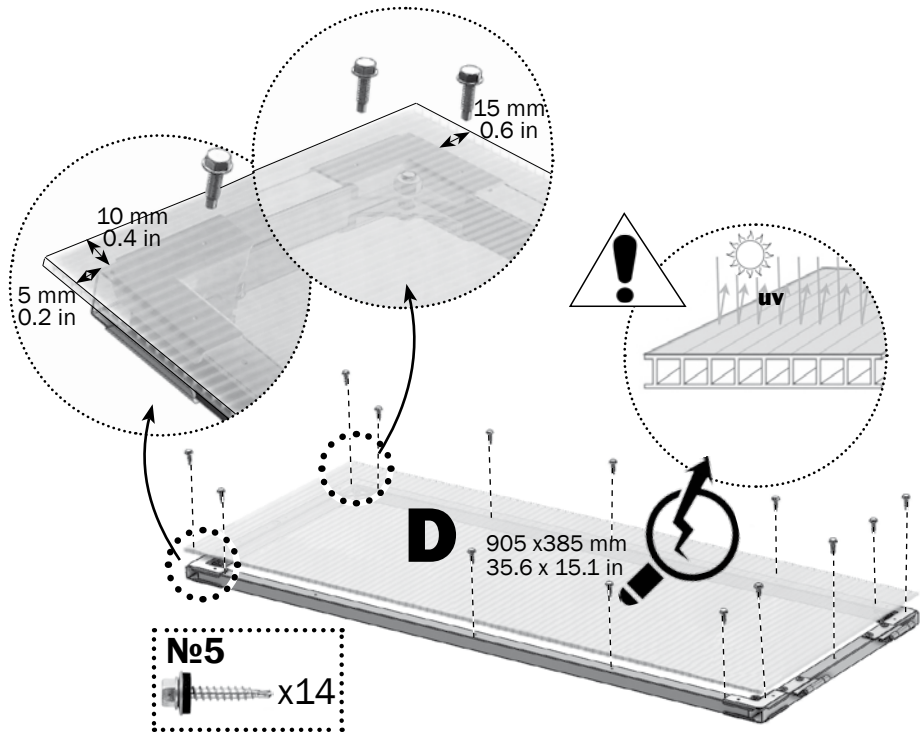
- No2 12-2 x1
- No2 13-2 x1
- No2 12-3 x1
- No2 13-1 x1



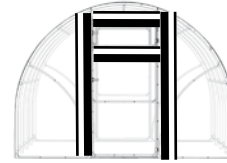
7.2



7.3



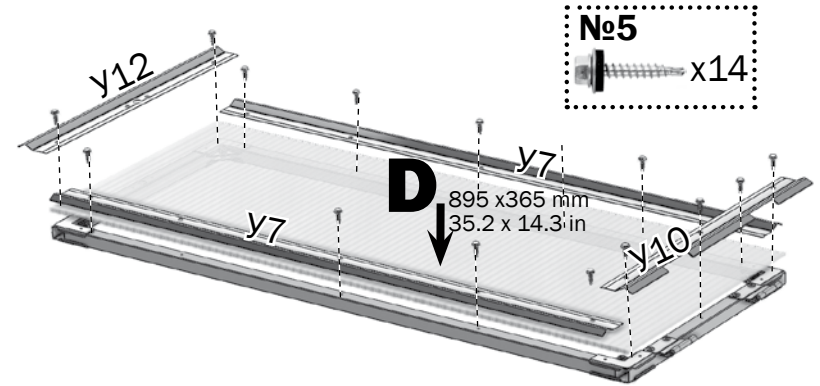
x2



No9*
y7 x2

No9*
y10 x1

No9*
y12 x1



x2

8.1

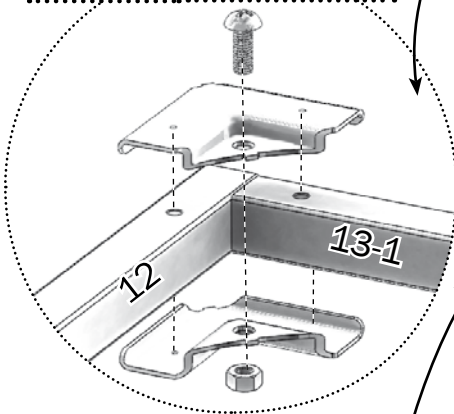
№2 12-1 x1

№2 13 x1

№2 12 x1

№2 13-1 x2

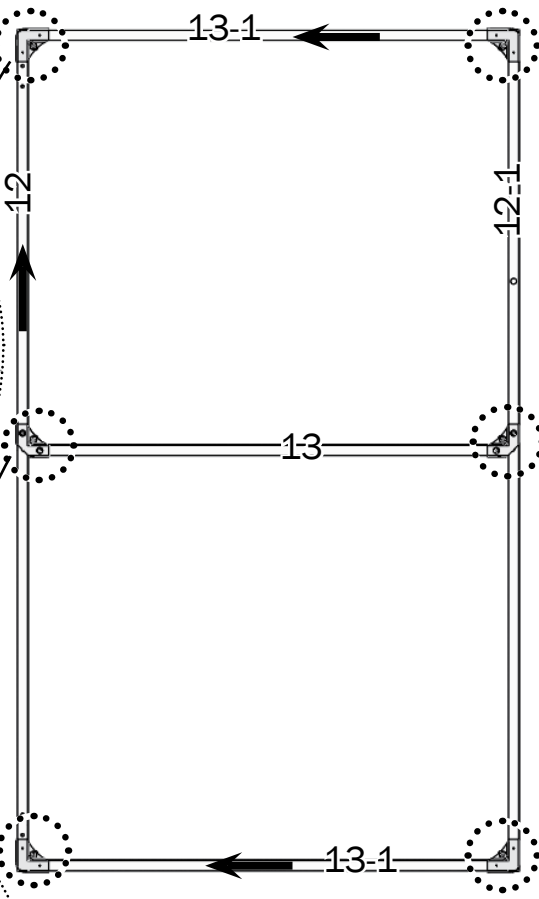
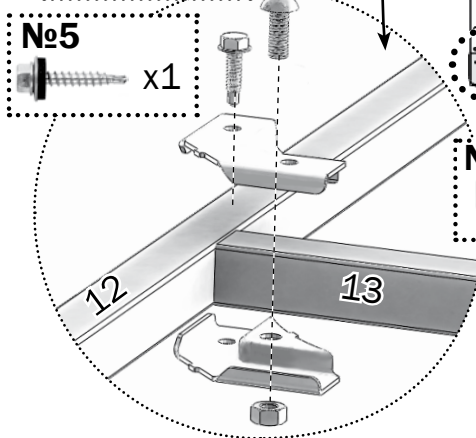
№5 x2
M6x16 M6 x1



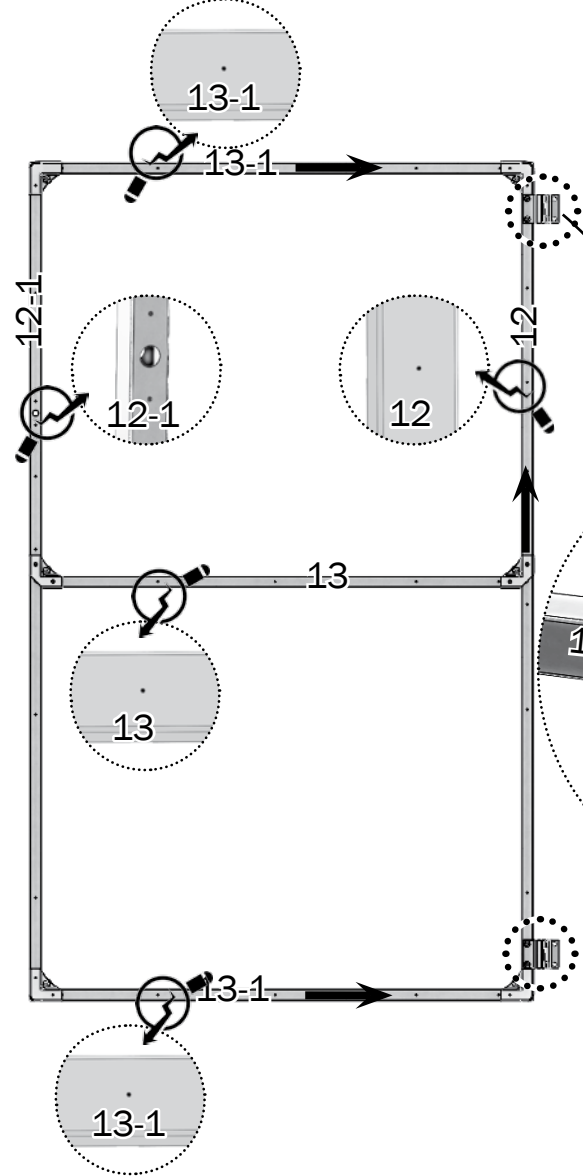
№5 M6x16 M6 x1

№5 x1

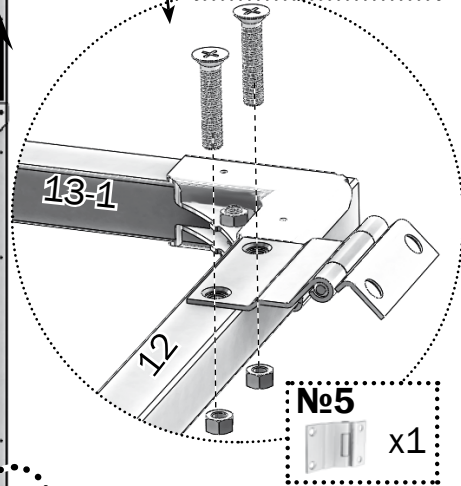
№5 x2



8.2

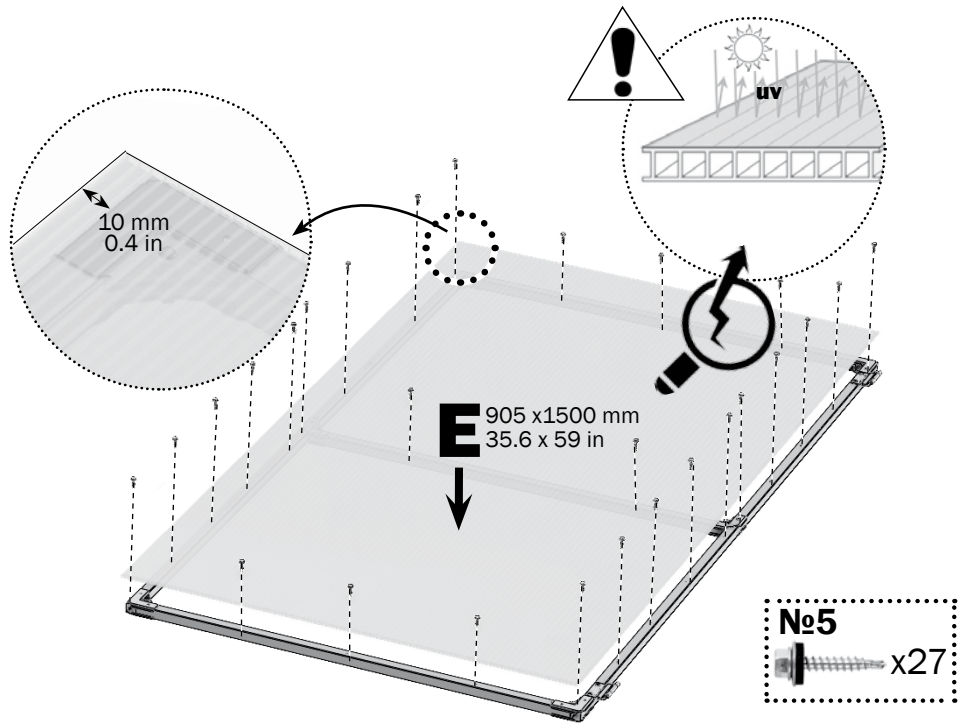


№5 M5x30 M5 x2

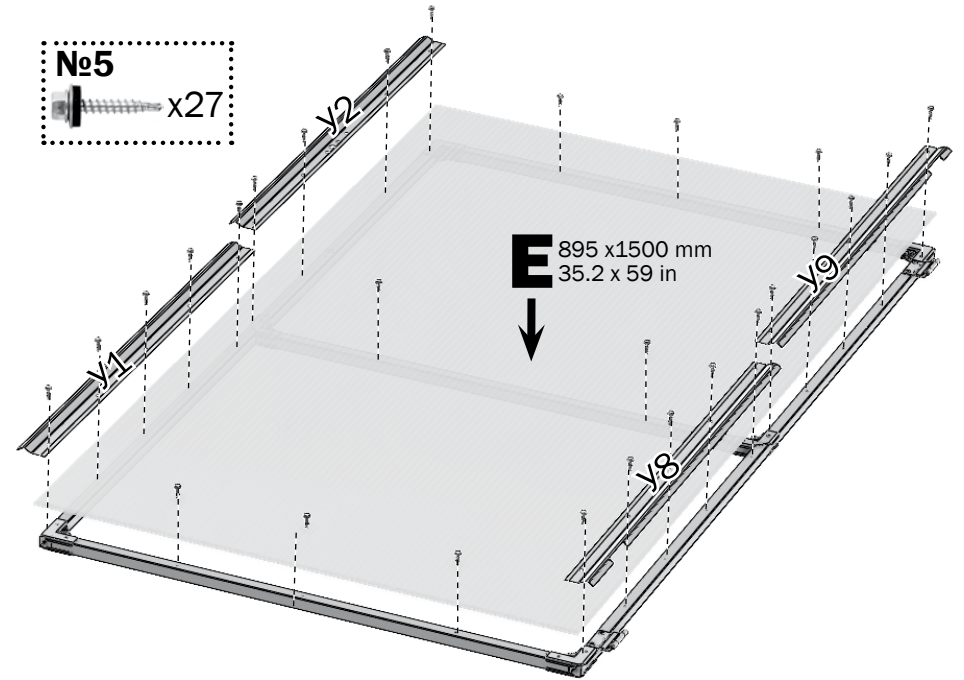
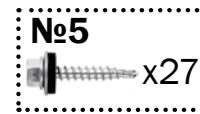
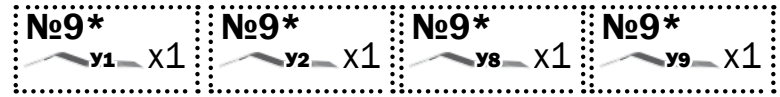
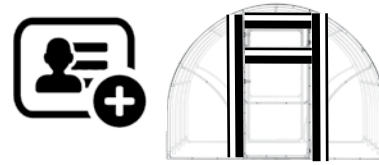


№5 x1

8.3

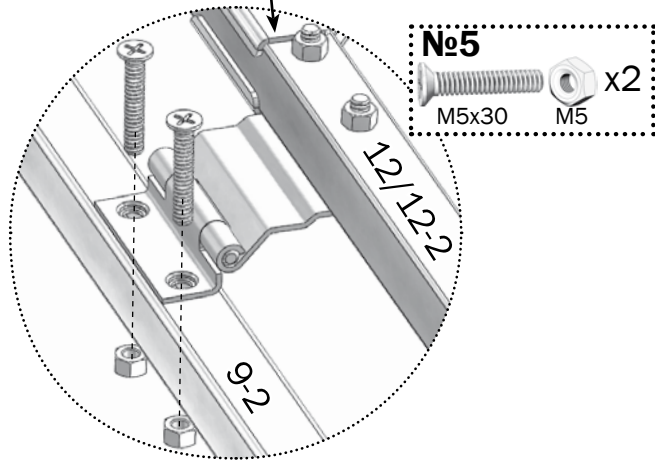
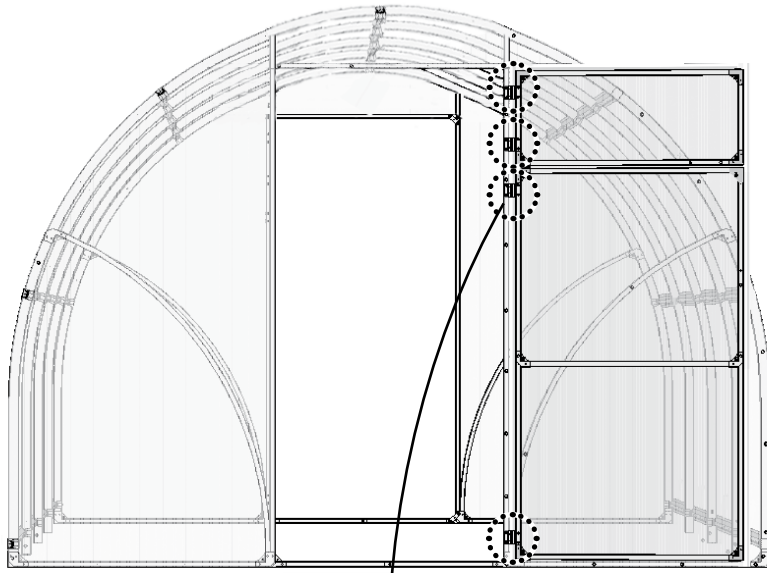


x2

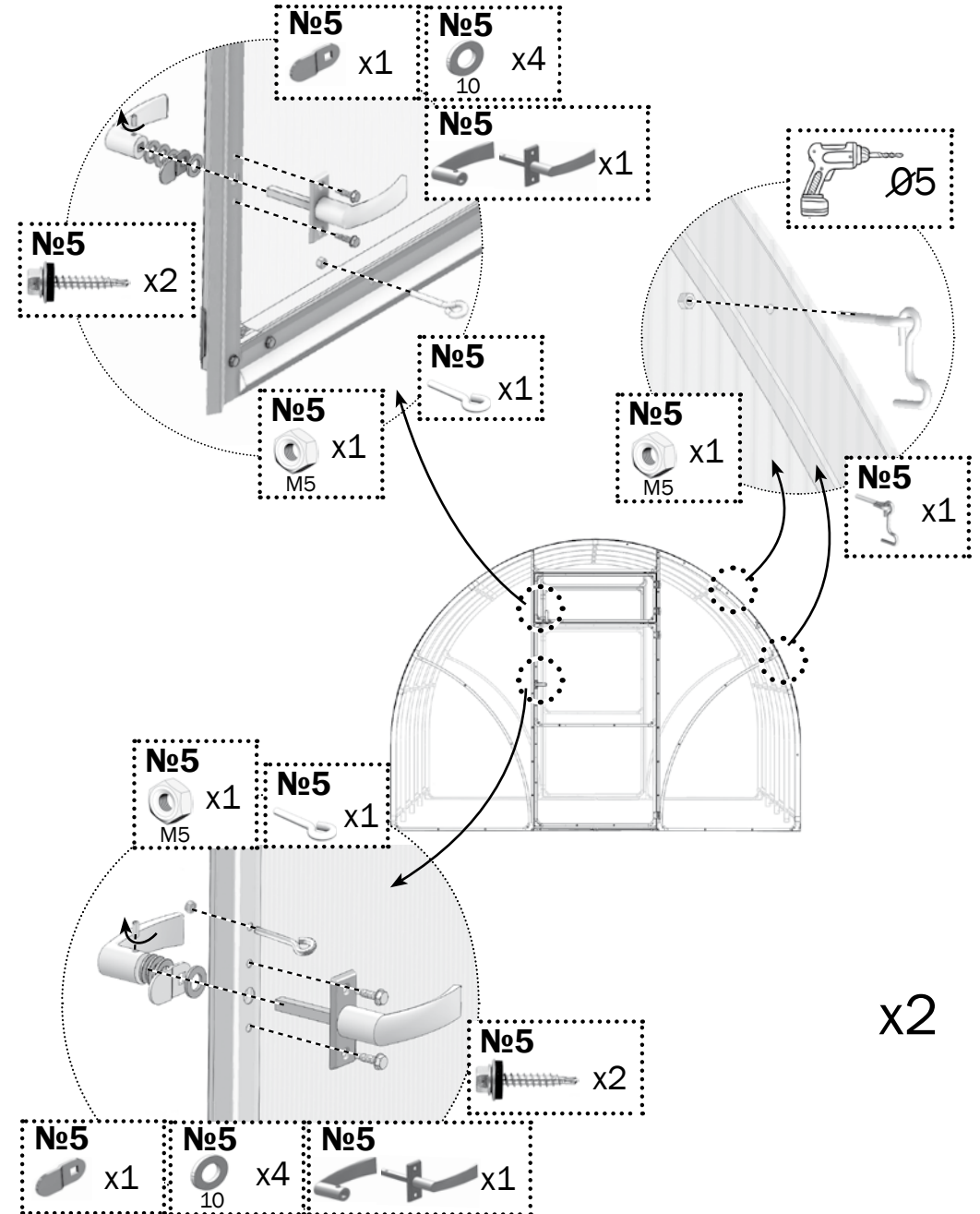


x2

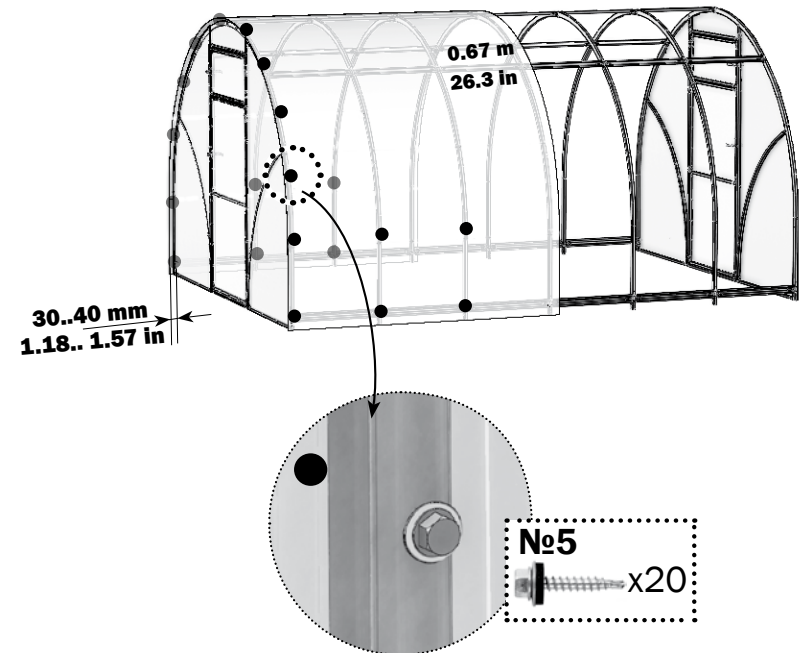
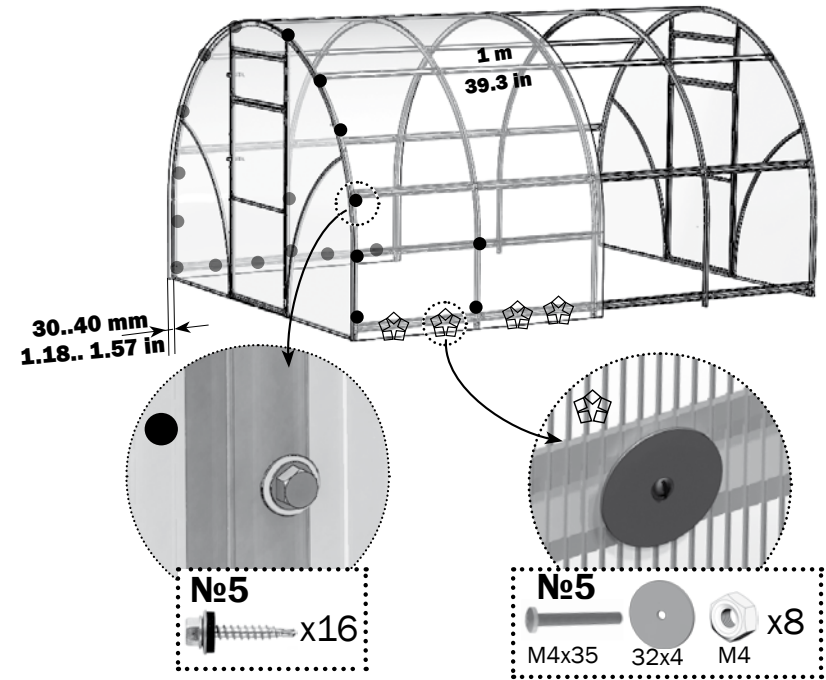
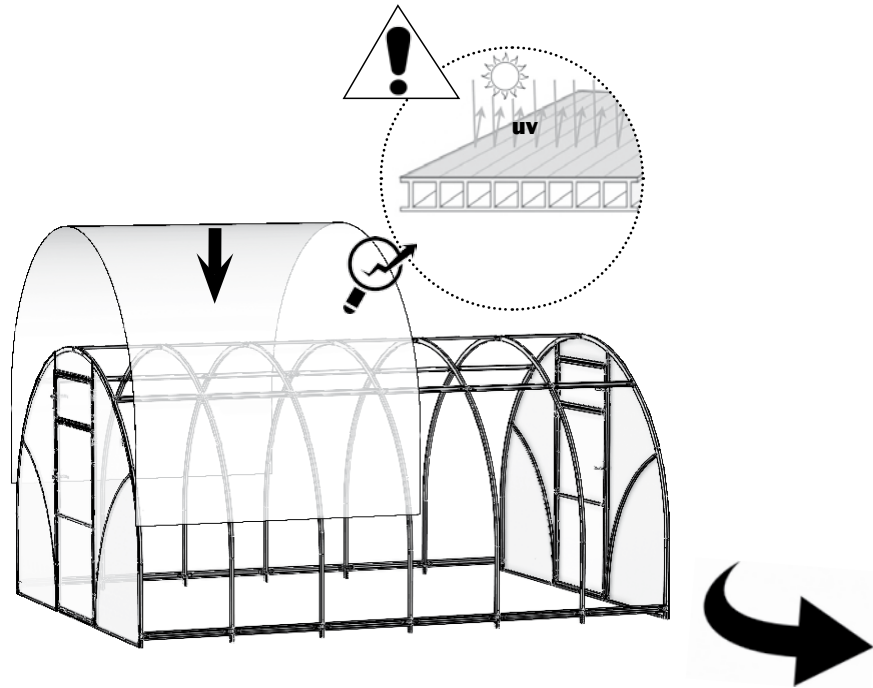
9.1



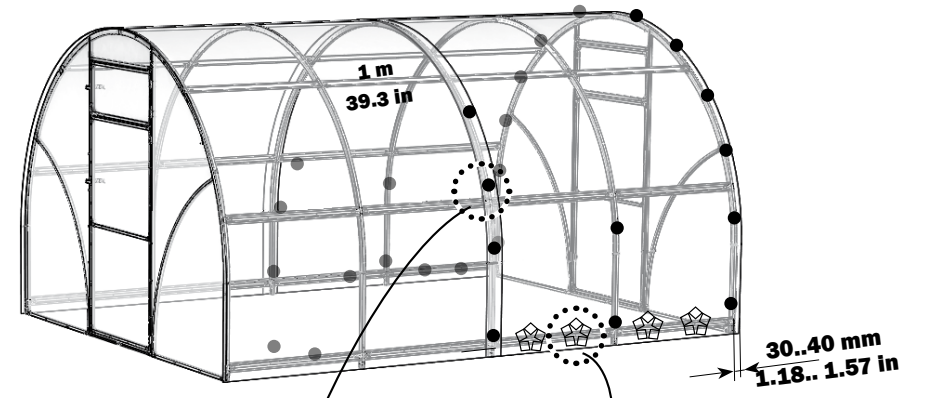
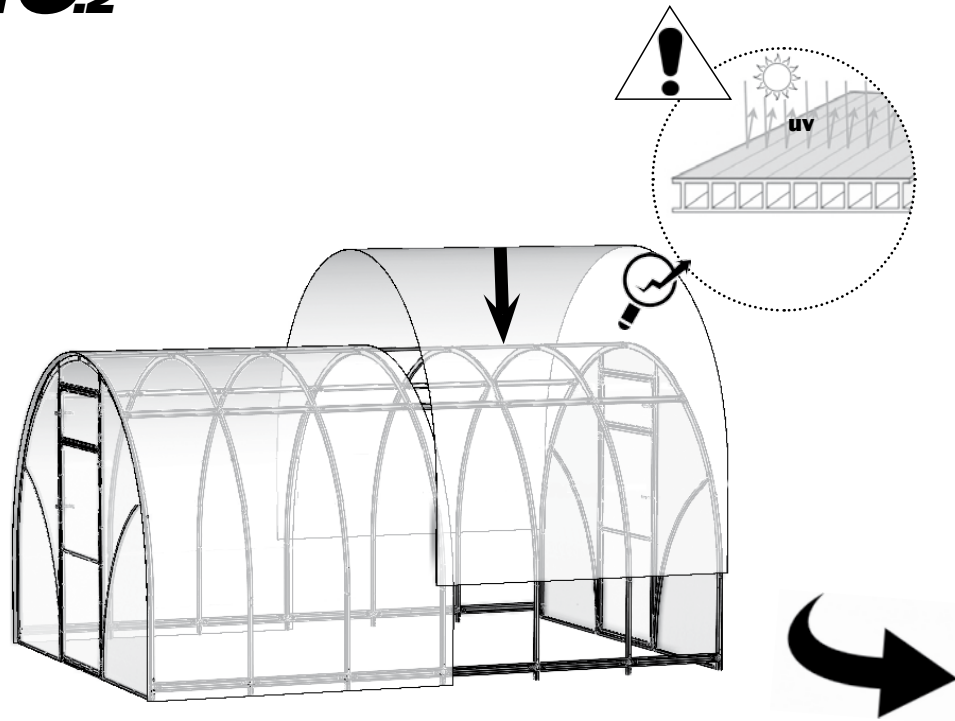
9.2



10.1

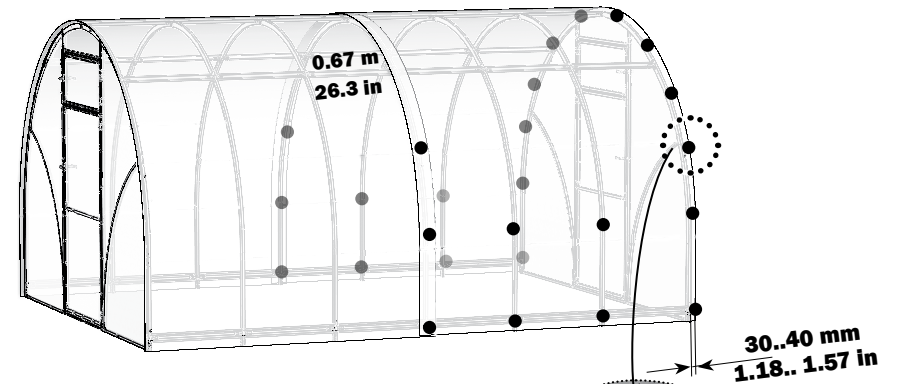


10.2



№5
x24

№5
M4x35 32x4 M4 x8



№5
x26

